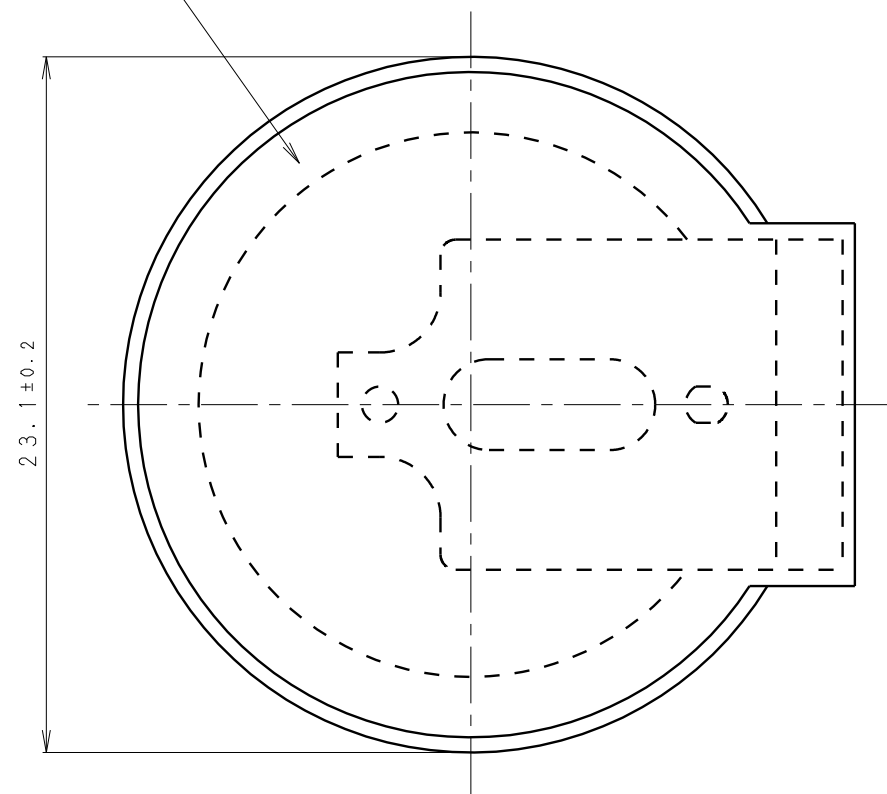
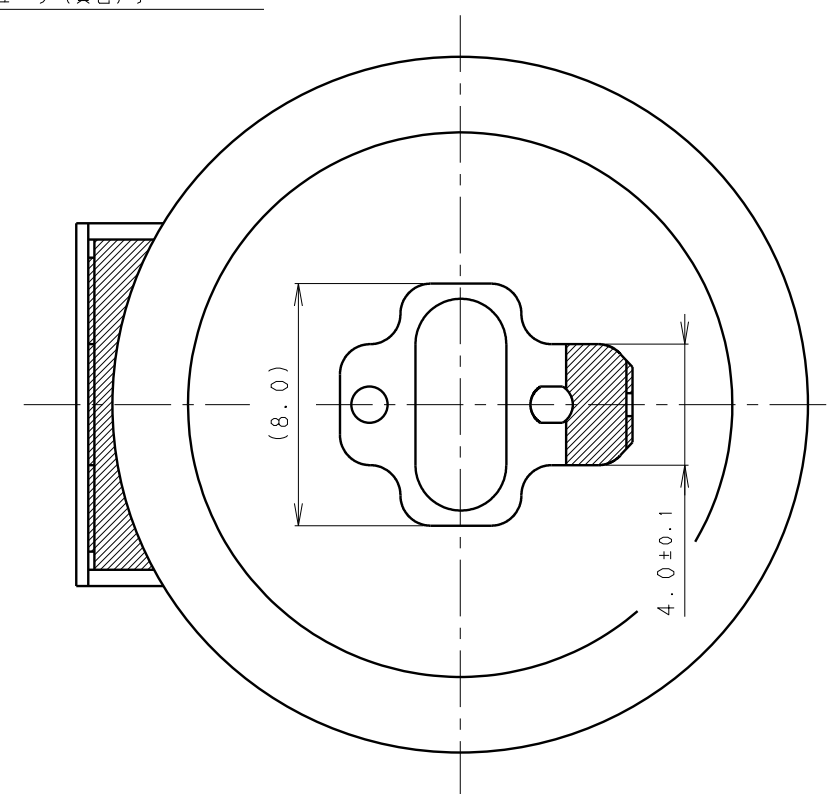
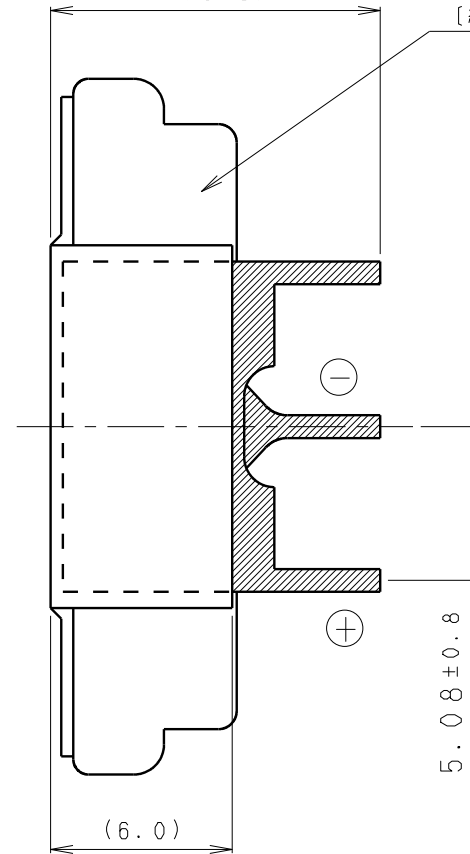


INSULATION STICKER  
[絶縁シール]

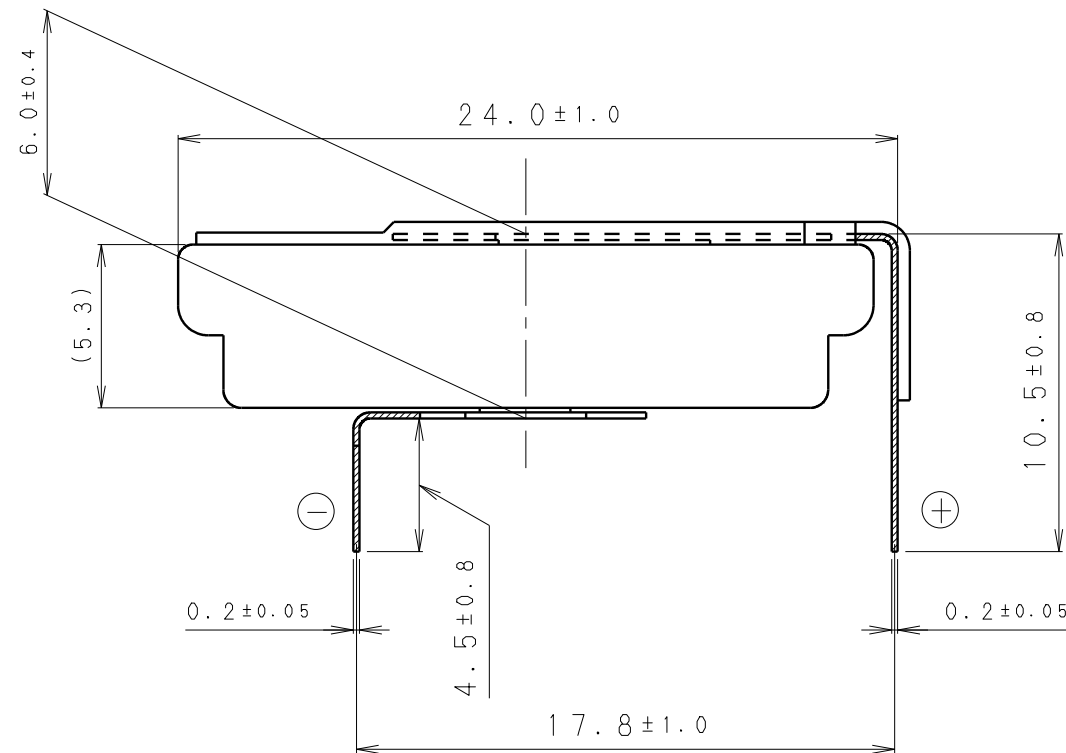
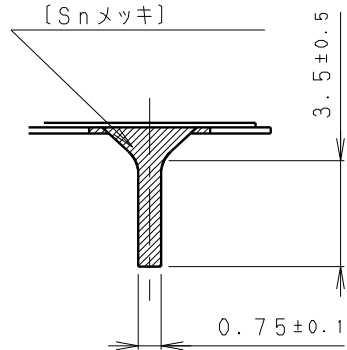


(10.6)

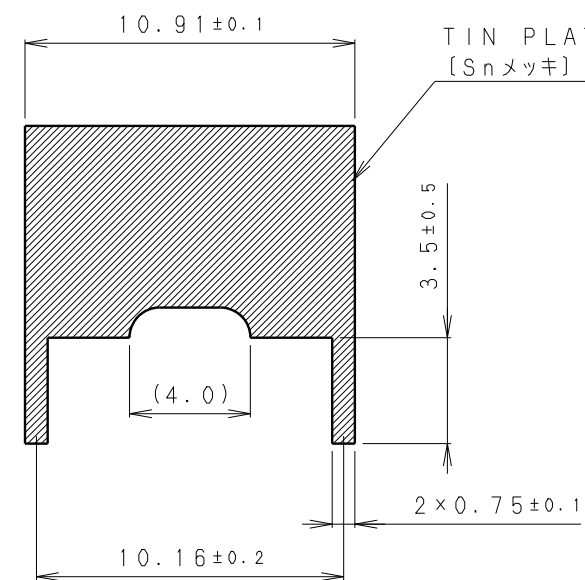
INSULATOR (YELLOW)  
[絶縁チューブ (黄色)]



TIN PLATING  
[Snメッキ]



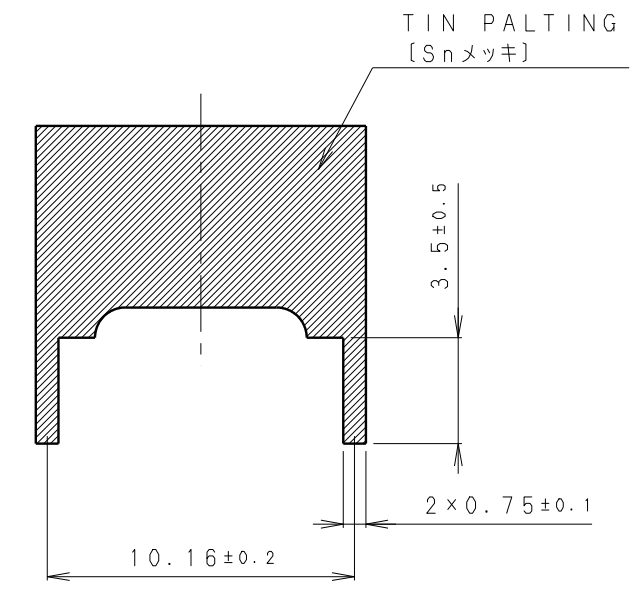
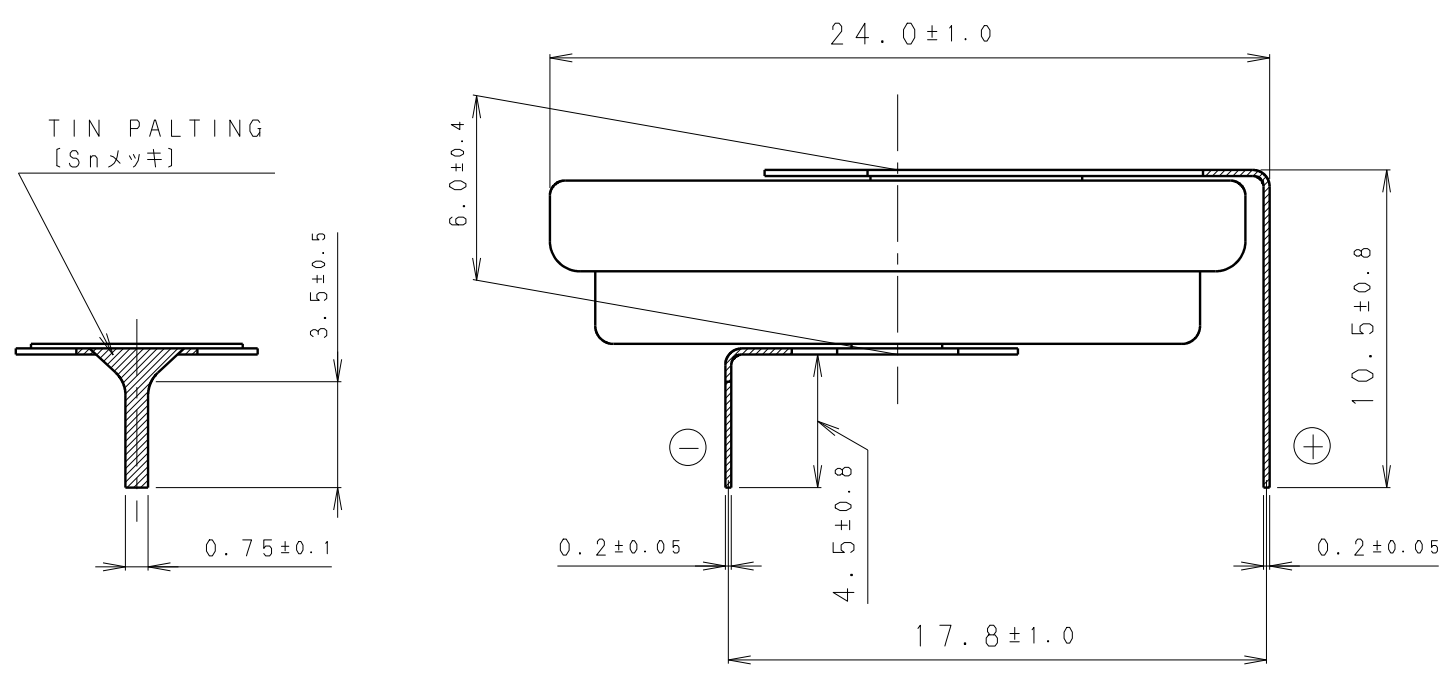
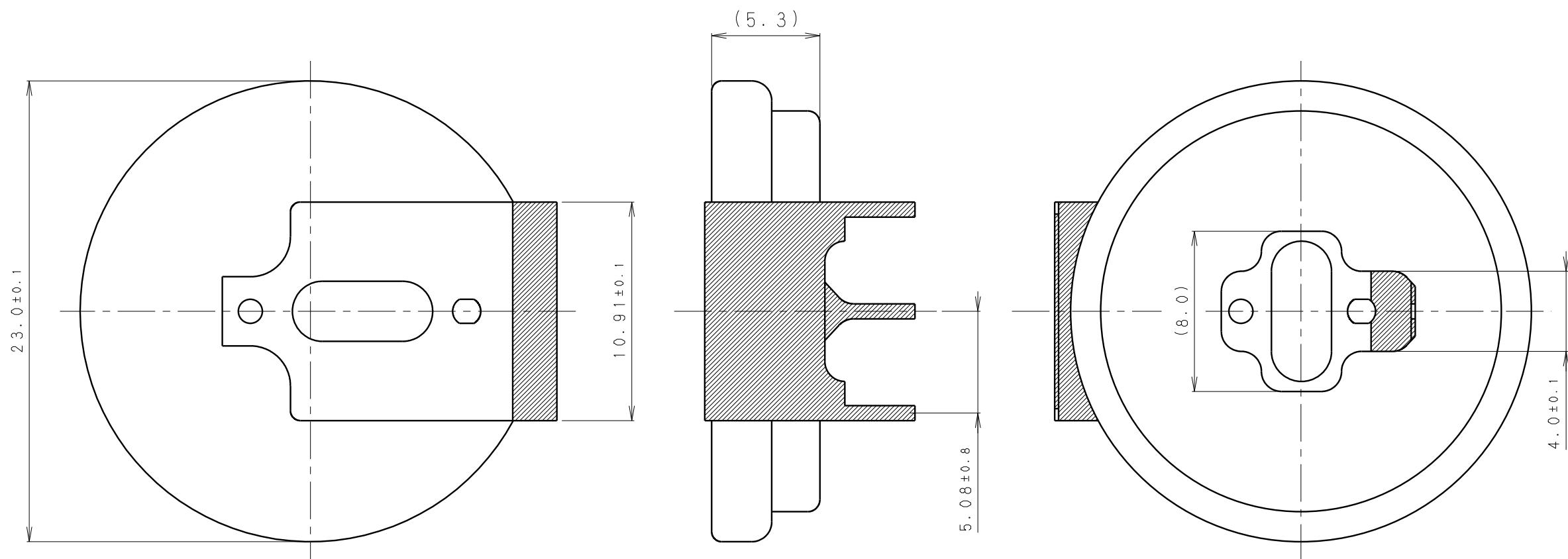
TIN PLATING  
[Snメッキ]



\* NOTE [注記]

1. TAB PULLING STRENGTH OVER 19.6N [端子溶接強度: 19.6N以上]
2. TAB MATERIAL: STAINLESS STEEL WITH TIN PLATING [端子材料: 基材 ステンレス/表面 部分Snメッキ]
3. ( ): REFERENCE DIMENSION AND ANGLE [( ) 寸法、角度は参考値]

PRODUCT NO.	CR-2354/GU4N	SCALE	4:1
DRAWING NO.	QVGC1Z	REV.	0
			UNIT:mm

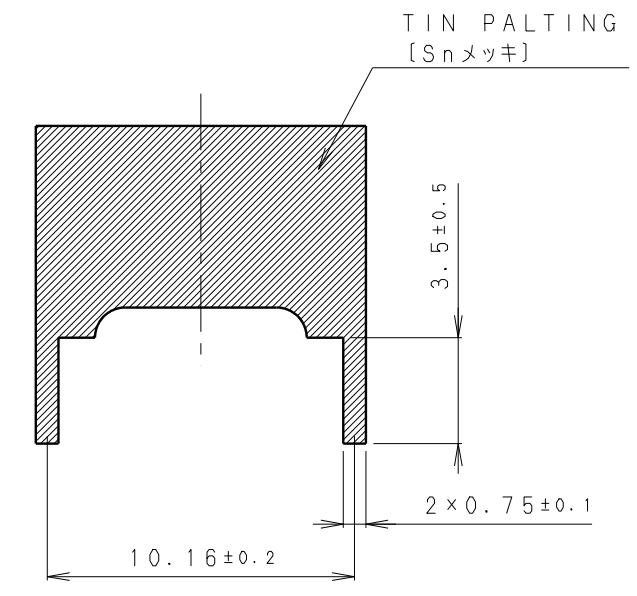
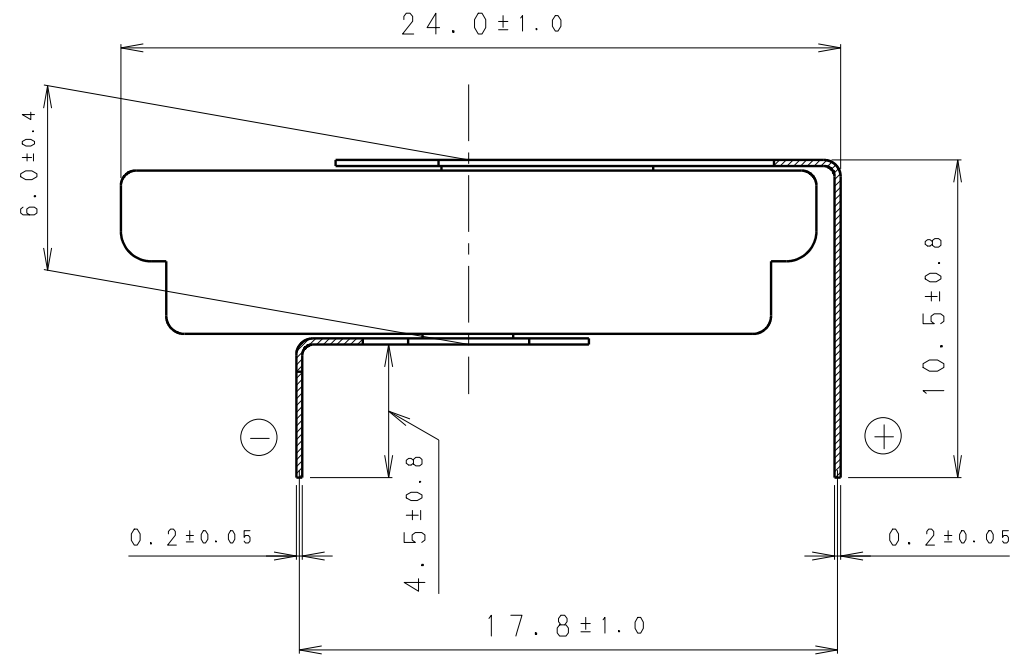
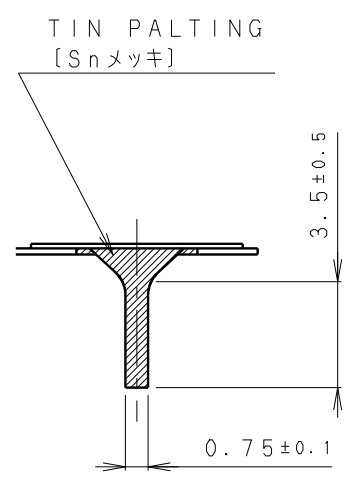
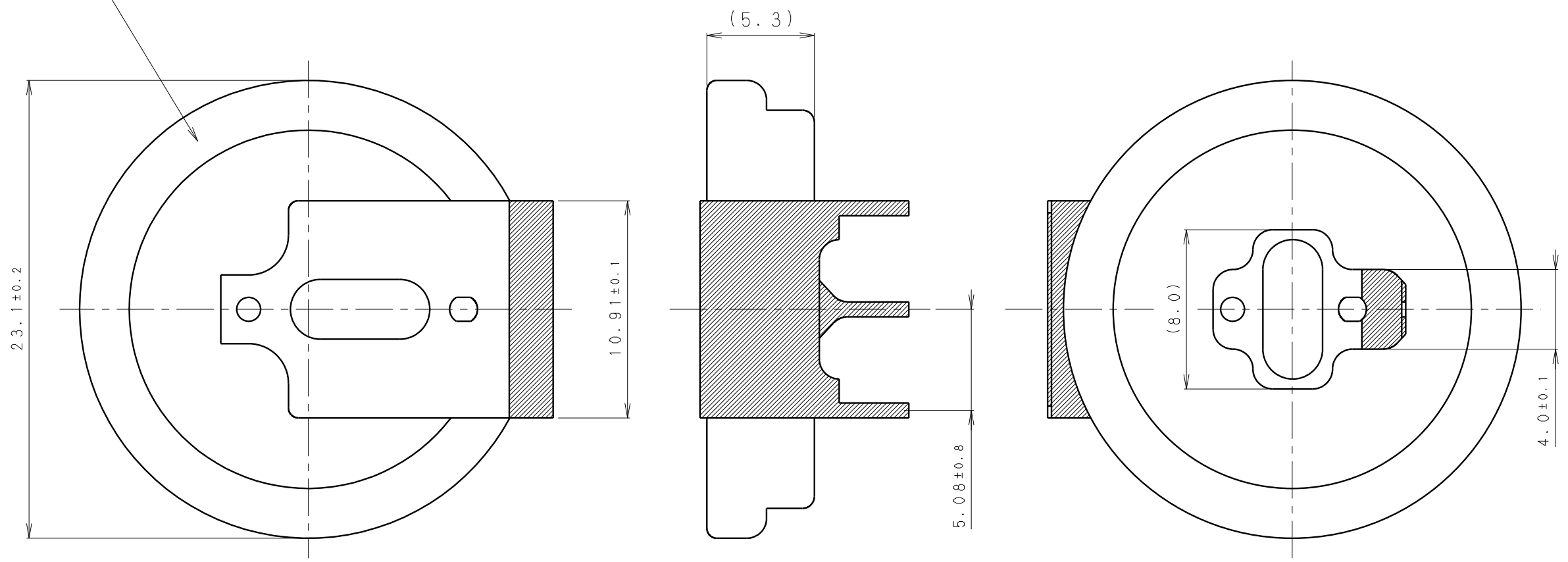


\* NOTE [注記]

1. TAB PULLING STRENGTH OVER 19.6N [端子溶接強度:19.6N以上]
2. TAB MATERIAL:STAINLESS STEEL WITH TIN PLATING [端子材料:基材 ステンレス/表面 部分Snメッキ]
3. ( ):REFERENCE DIMENSION AND ANGLE [( )寸法、角度は参考値]

PRODUCT NO.	CR-2354/GUN	SCALE	4:1
DRAWING NO.	QVGB1N	REV.	0
			UNIT:mm

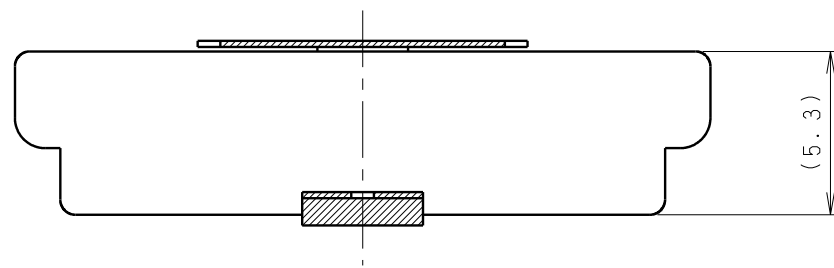
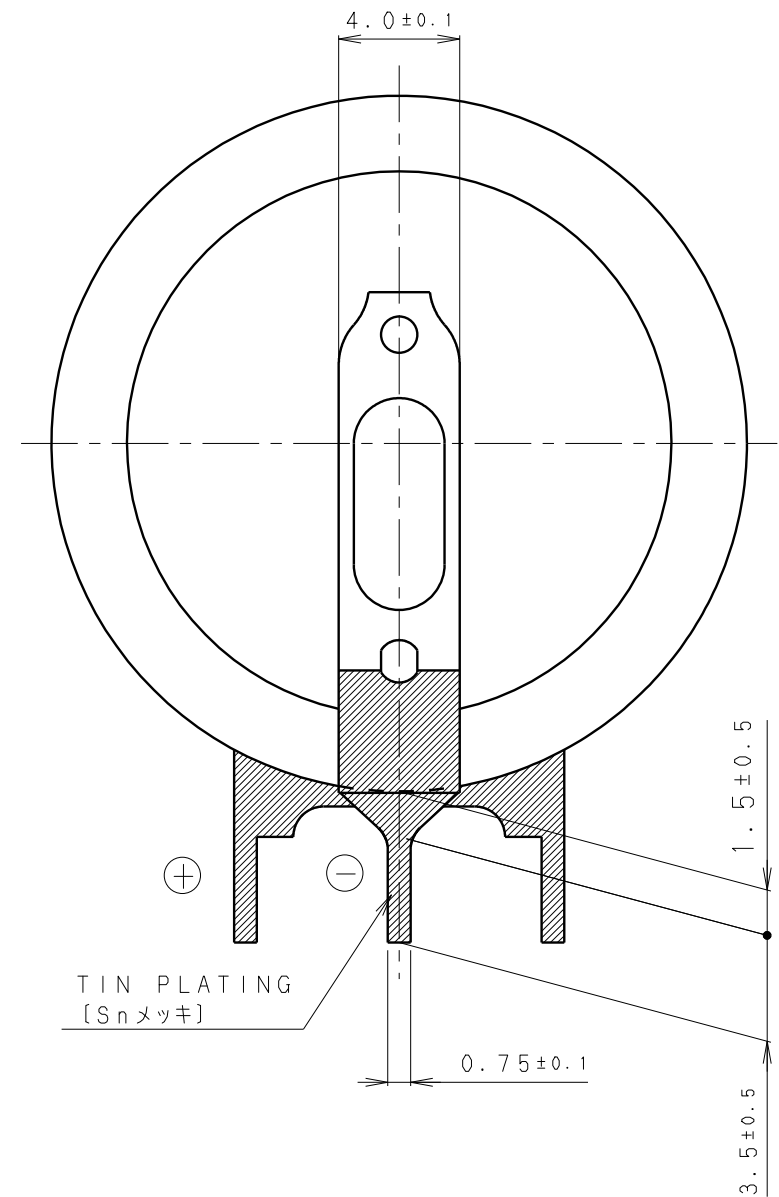
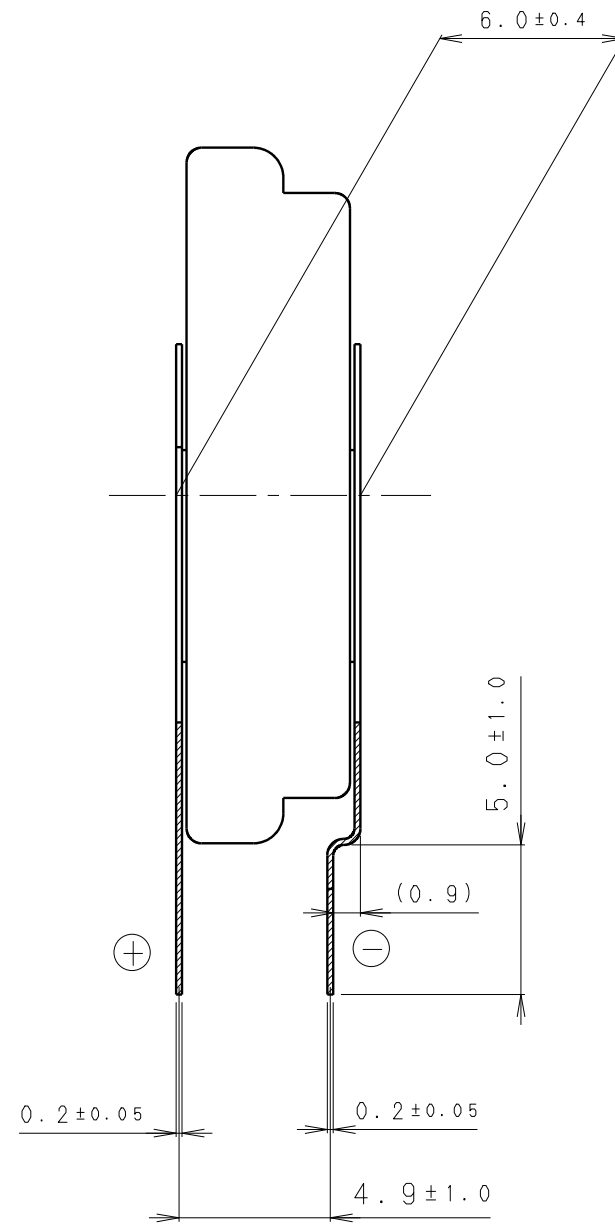
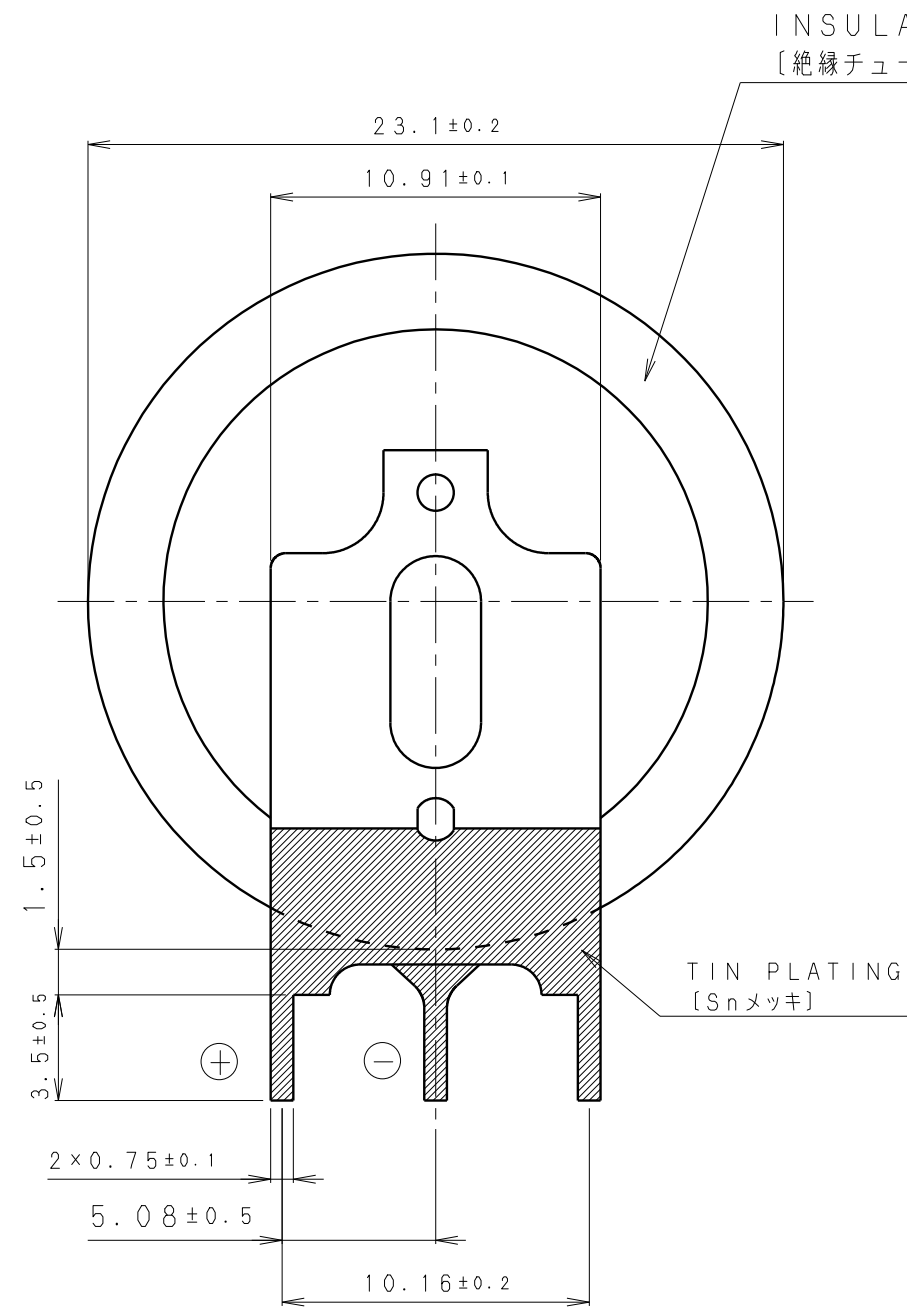
INSULATOR (YELLOW)  
 [絶縁チューブ (黄色)]



\* NOTE [注記]

1. TAB PULLING STRENGTH OVER 19.6N [端子溶接強度: 19.6N以上]
2. TAB MATERIAL: STAINLESS STEEL WITH TIN PLATING [端子材料: 基材 ステンレス/表面 部分Snメッキ]
3. ( ): REFERENCE DIMENSION AND ANGLE [ ( ) 寸法、角度は参考値]

PRODUCT NO.	CR-2354/GUFN	SCALE	4:1
DRAWING NO.	QVGB1Z	REV.	0
			UNIT: mm



\* NOTE [注記]

- TAB PULLING STRENGTH OVER 19.6N [端子溶接強度: 19.6N以上]
- TAB MATERIAL: STAINLESS STEEL WITH TIN PLATING [端子材料: 基材 ステンレス/表面 部分Snメッキ]
- ( ): REFERENCE DIMENSION AND ANGLE [ ( ) 寸法、角度は参考値 ]

PRODUCT NO.	CR-2354/GVFN	SCALE	4:1
DRAWING NO.	QVPA1Z	REV.	0
			UNIT:mm