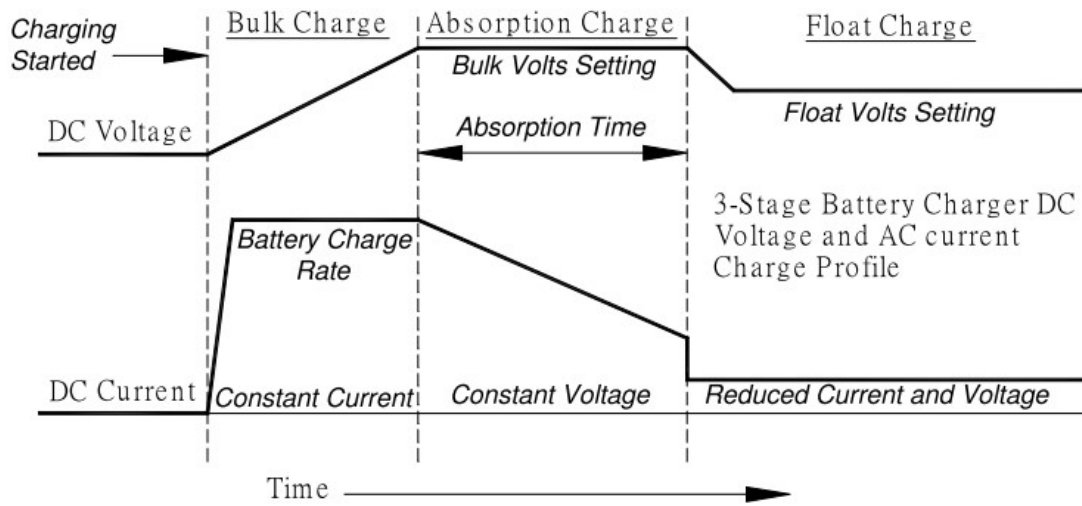


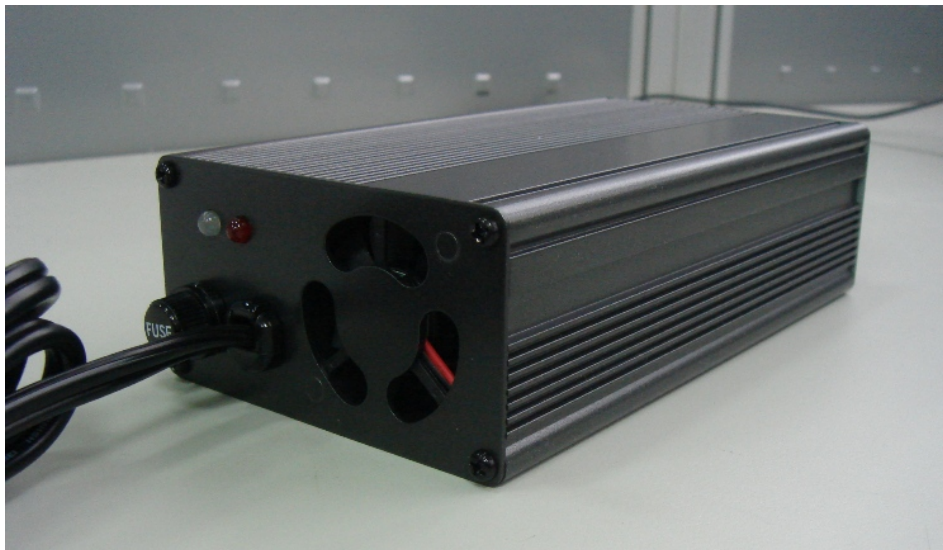
Specification of AC 0324A

Input Voltage	115 / 230Vac [AUTO SW.]
Input Frequency	47 ~ 63Hz
Max. In-rush Current	Cold start · 20A for 115Vac · 40A for 230Vac
Input Current	1.9A Max for 115Vac 0.95A Max for 230Vac
Output Voltage	29.2Vdc \pm 0.2V (Absorption Charge) 27.4Vdc \pm 0.2V (Float Charge)
Start Point of Floating	0.5A \pm 0.2A
Max. Charging Current	3A \pm 0.2A
Ripple / Noise	160mVp-p
FAN Control	Fan on fast speed (Bulk / Absorption Charge) Fan on slow speed (Float Charge)
LED Indication	LED1 : Red → Power on LED2 : Orange → Charging Green → Full charged
Mains Lead	1.8M EURO Plug + 1.8M UK fuse Plug
DC Cable	SPT2 2C 18AWG at 1.2M Mount clips
Dimension	177.5 x 88 x 47 mm
G.W.	0.8 Kgs

Charge curve :



Body View

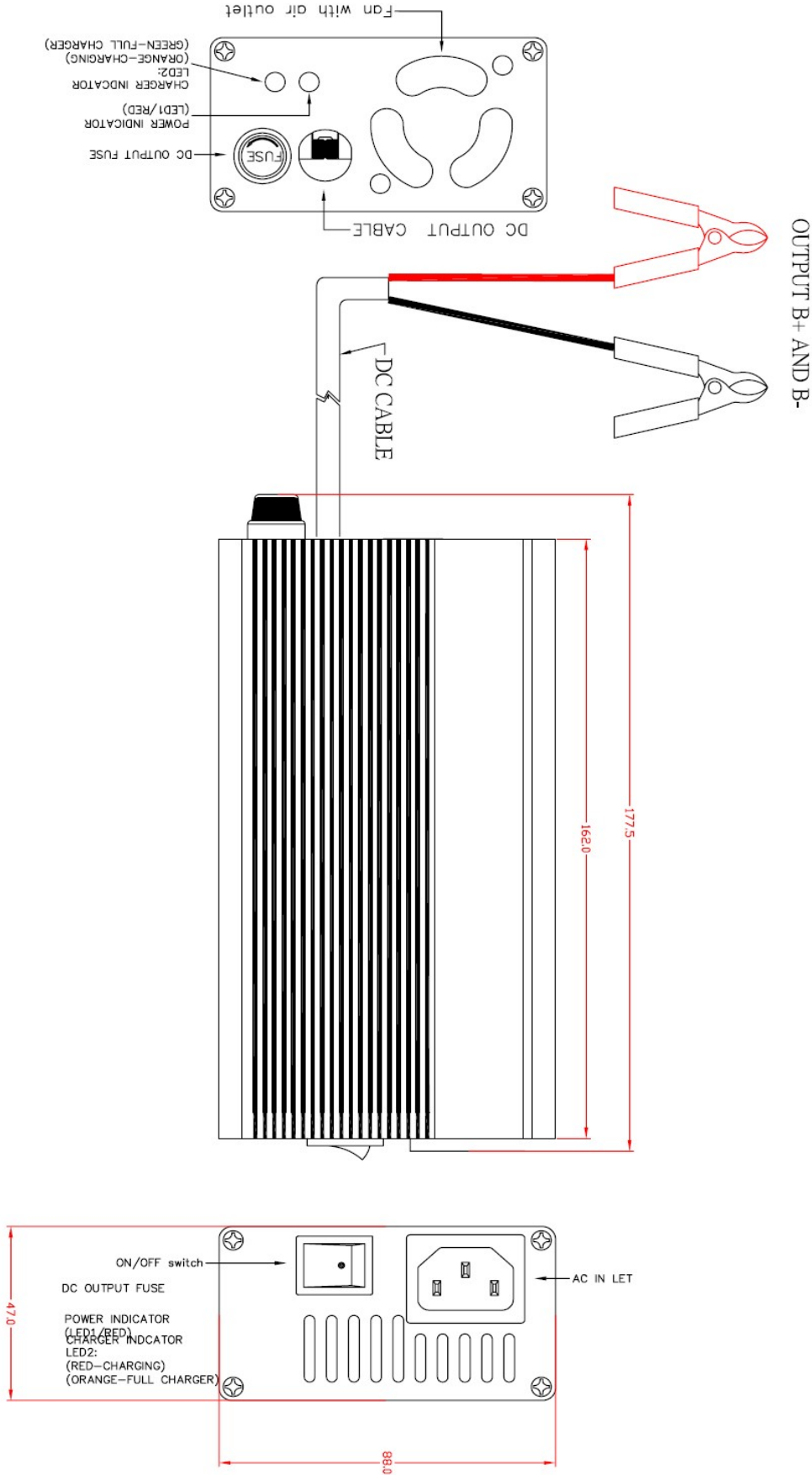


Rear Panel

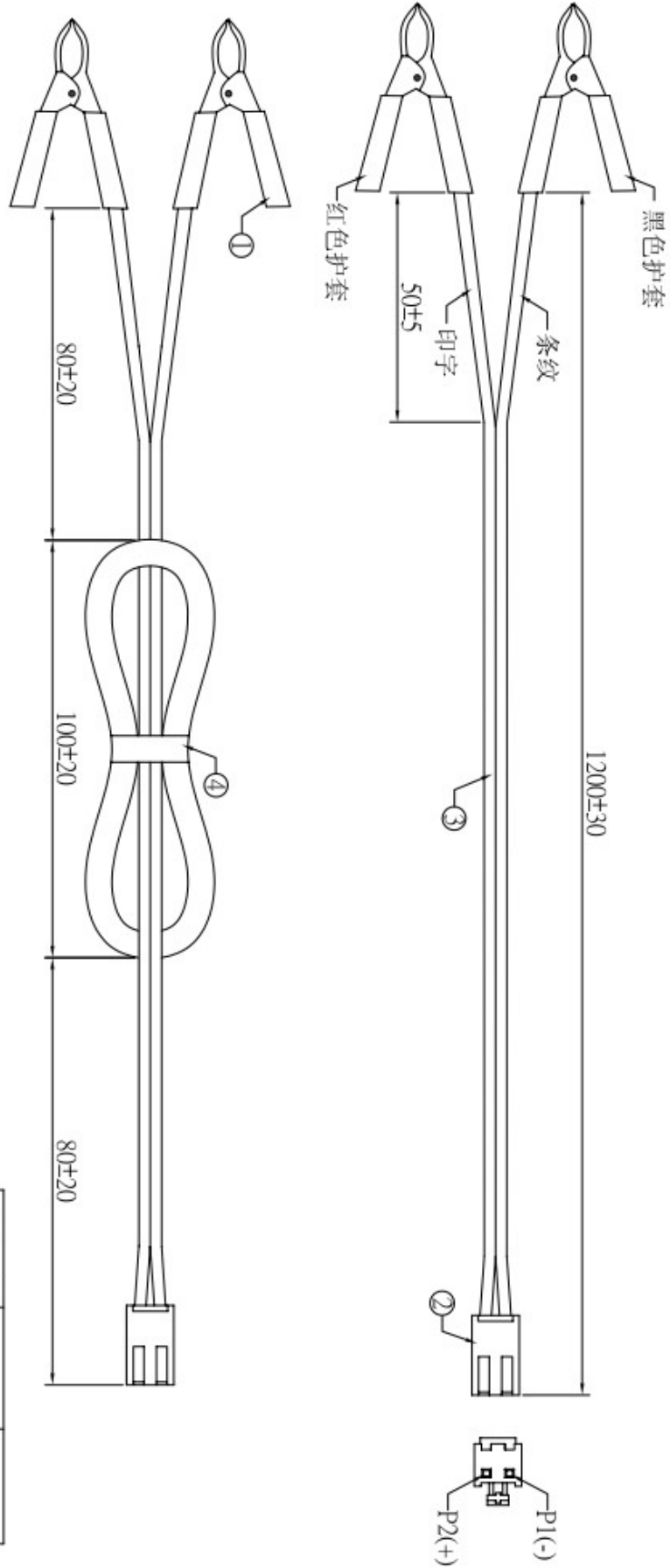


Case Draw

BATTERY CHARGER AC04XXXA SERIAL OUTLINE



DC Cord



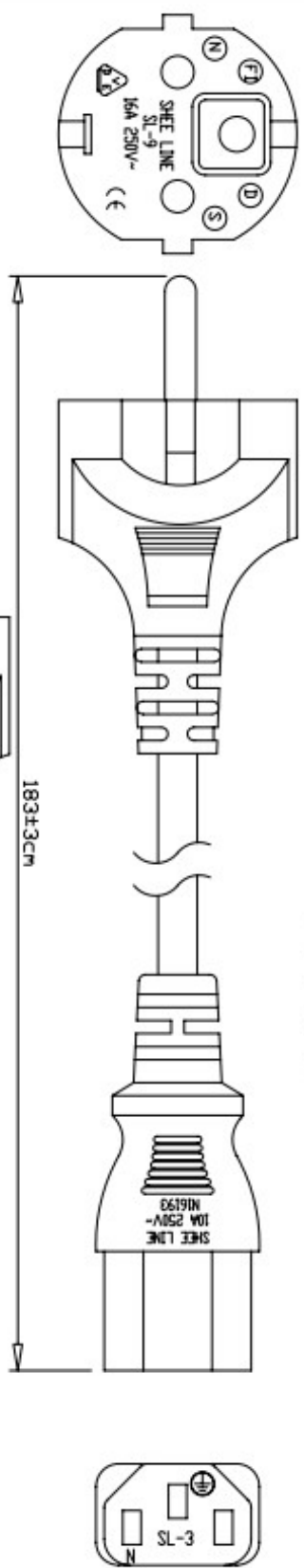
线材	线材	电瓶夹 Housing	电瓶夹 Housing
印字	条纹	黑色护套 P1(-)	红色护套 P2(+)

Mains Lead

品名 H05 0.75mm²/3G SL-3+SL-9

ROHS

021



SPECIFICATION :

- (1) LENGTH : 1.83M
- (2) COLOR : BLACK
- (3) PLUG : SL-3 (A)10 (V)250 APPROVAL:EUROPEAN
- (4) CONNECTOR: SL-9(A)16 (V)250 APPROVAL: EUROPEAN
- (3) CABLE : H05 0.75mm²/3G APPROVAL: EUROPEAN

升林有限公司		日期		Month Day Year		承認		客戶	
SHEE LINE CO., LTD.		02 / 14 / 2008				Approved		Name	
								機種	
								客戶圖號	
								圖號	
								NO.	