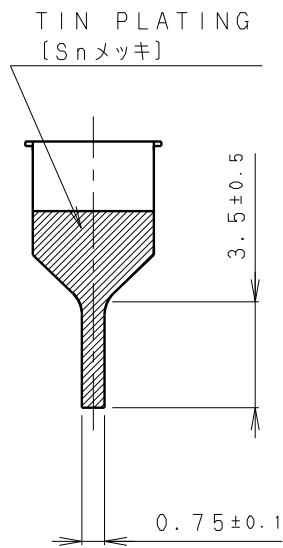
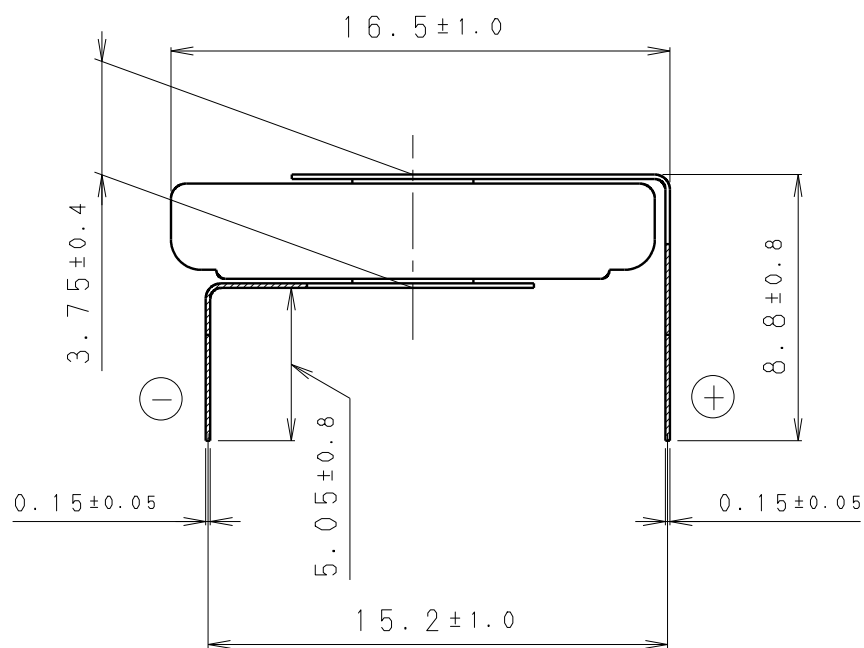
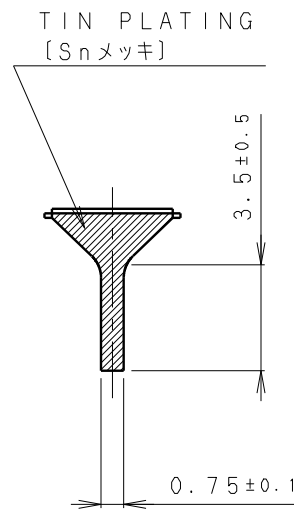
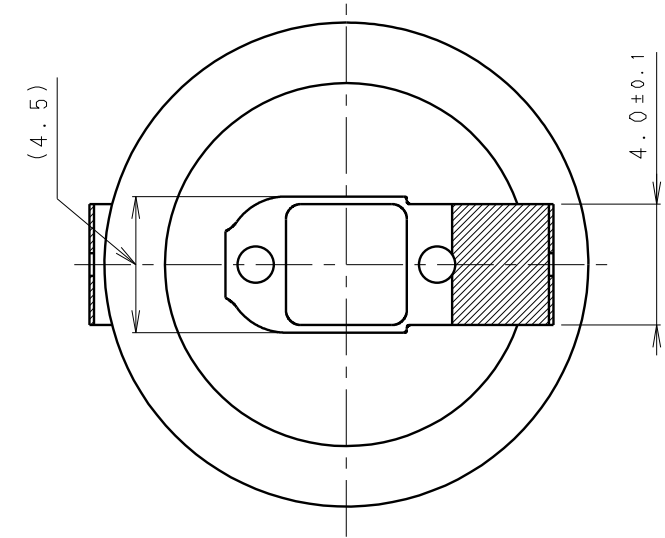
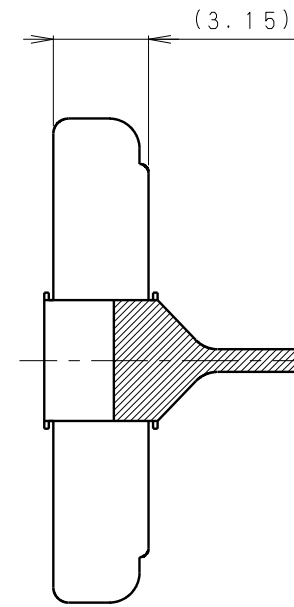
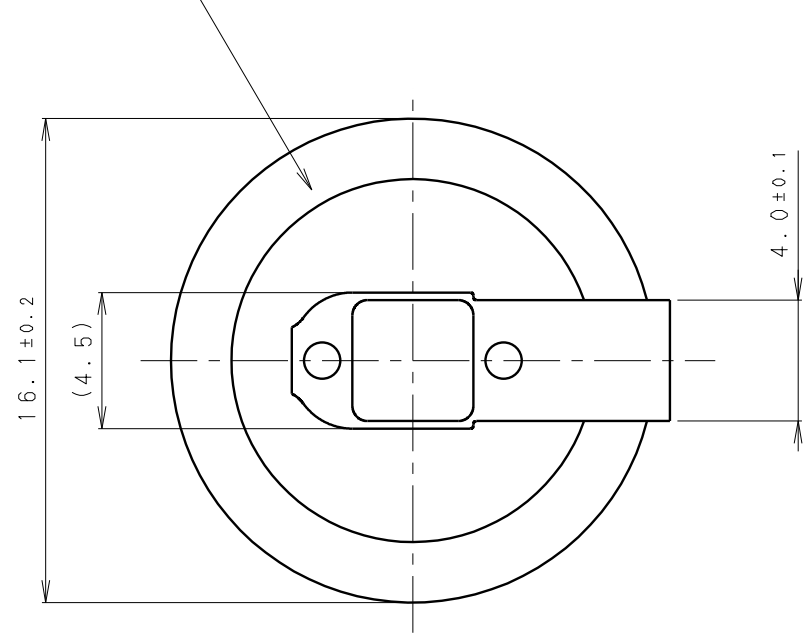


- \* NOTE [注記]
- TAB PULLING STRENGTH OVER 14.7N [端子溶接強度: 14.7N以上]
  - TAB MATERIAL: STAINLESS STEEL WITH TIN PLATING [端子材料: 基材 ステンレス/表面 部分Snメッキ]
  - ( ): REFERENCE DIMENSION AND ANGLE [ ( ) 寸法、角度は参考値]

PRODUCT NO.	CR-1632/HEN	SCALE	4:1
DRAWING NO.	MMHA1N	REV.	0
			UNIT:mm

INSULATOR (YELLOW)  
 [絶縁チューブ (黄色)]



\* NOTE [注記]

- TAB PULLING STRENGTH OVER 14.7N [端子溶接強度: 14.7N以上]
- TAB MATERIAL: STAINLESS STEEL WITH TIN PLATING [端子材料: 基材 ステンレス/表面 部分Snメッキ]
- ( ): REFERENCE DIMENSION AND ANGLE [ ( ) 寸法、角度は参考値]

PRODUCT NO.	CR-1632/HFN	SCALE	4:1
DRAWING NO.	MMHA1Z	REV.	0
			UNIT:mm