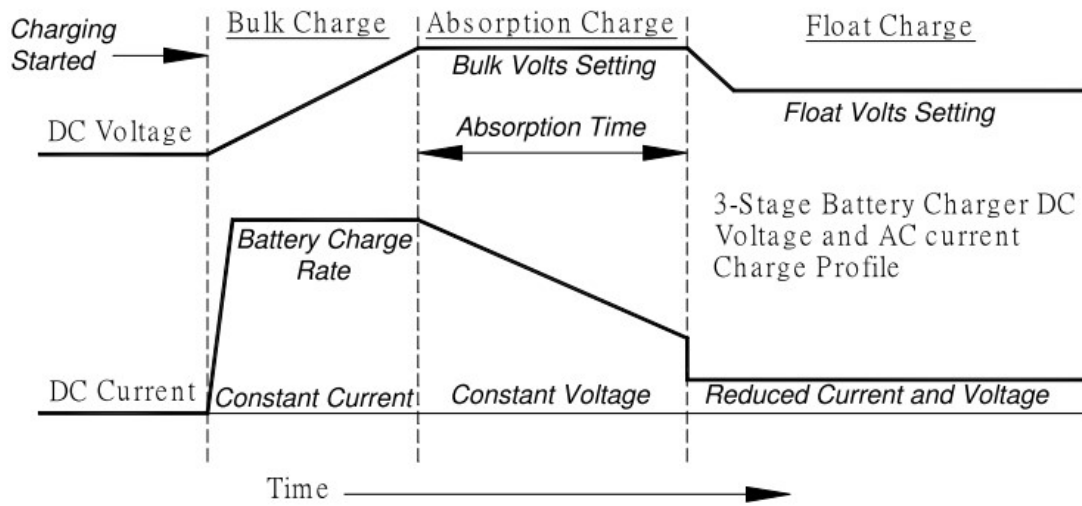


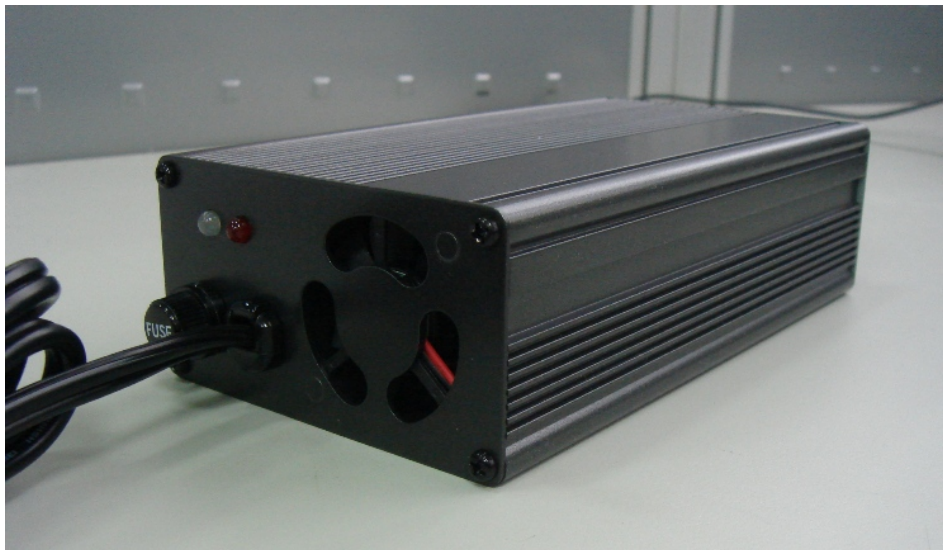
## Specification of AC 0624A

Input Voltage	115 / 230Vac [ AUTO SW. ]
Input Frequency	47 ~ 63Hz
Max. In-rush Current	Cold start · 20A for 115Vac · 40A for 230Vac
Input Current	2.2A Max for 115Vac 1.1A Max for 230Vac
Output Voltage	29.2Vdc $\pm$ 0.2V ( Absorption Charge ) 27.4Vdc $\pm$ 0.2V ( Float Charge )
Start Point of Floating	0.7A $\pm$ 0.2A
Max. Charging Current	6A $\pm$ 0.2A
Ripple / Noise	220mVp-p
FAN Control	Fan on fast speed ( Bulk / Absorption Charge ) Fan on slow speed ( Float Charge )
LED Indication	LED1 : Red → Power on LED2 : Orange → Charging Green → Full charged
Mains Lead	1.8M EURO Plug + 1.8M UK fuse Plug
DC Cable	SPT2 2C 18AWG at 1.2M Mount clips
Dimension	177.5 x 88 x 47 mm
G.W.	0.8 Kgs

Charge curve :



Body View

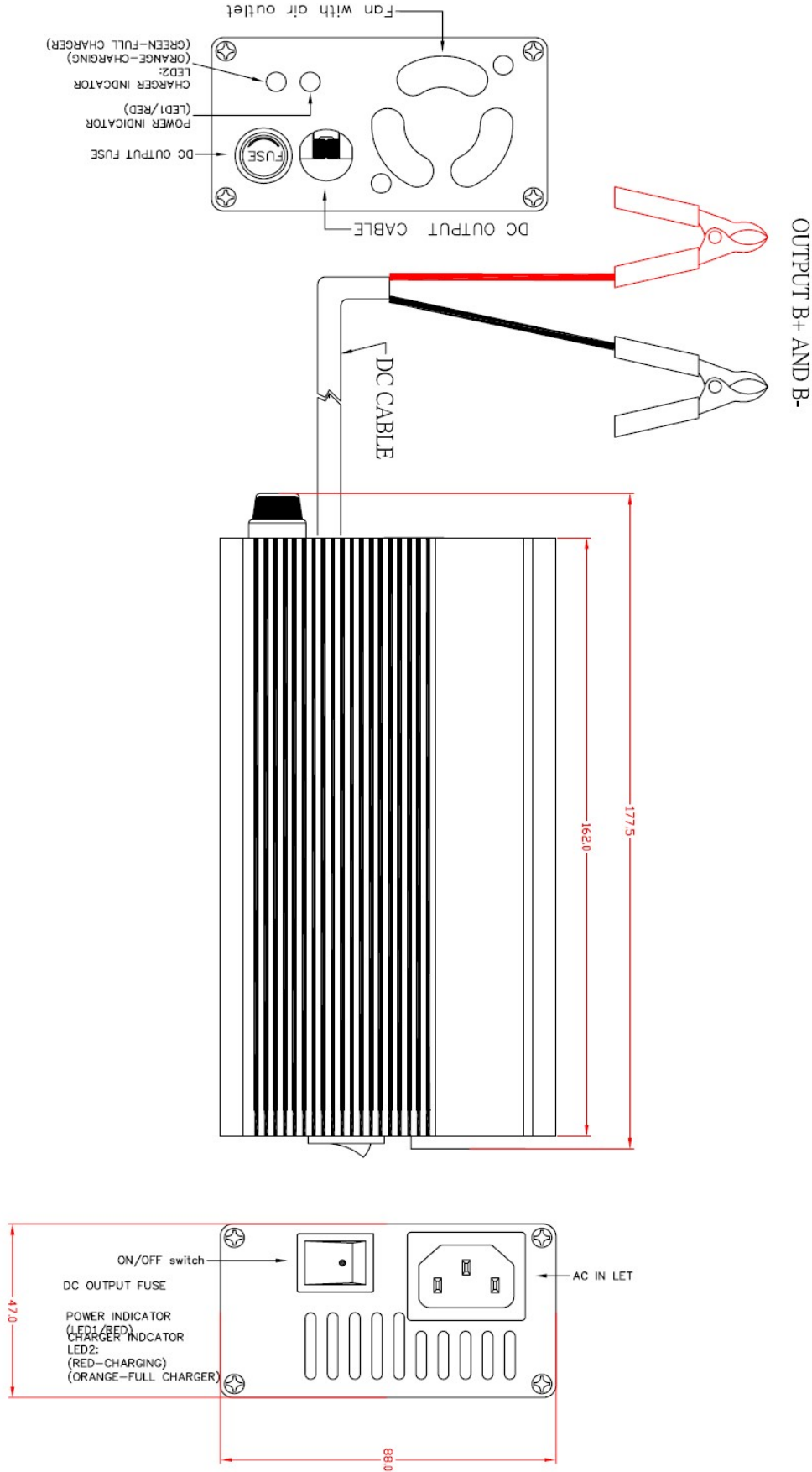


Rear Panel

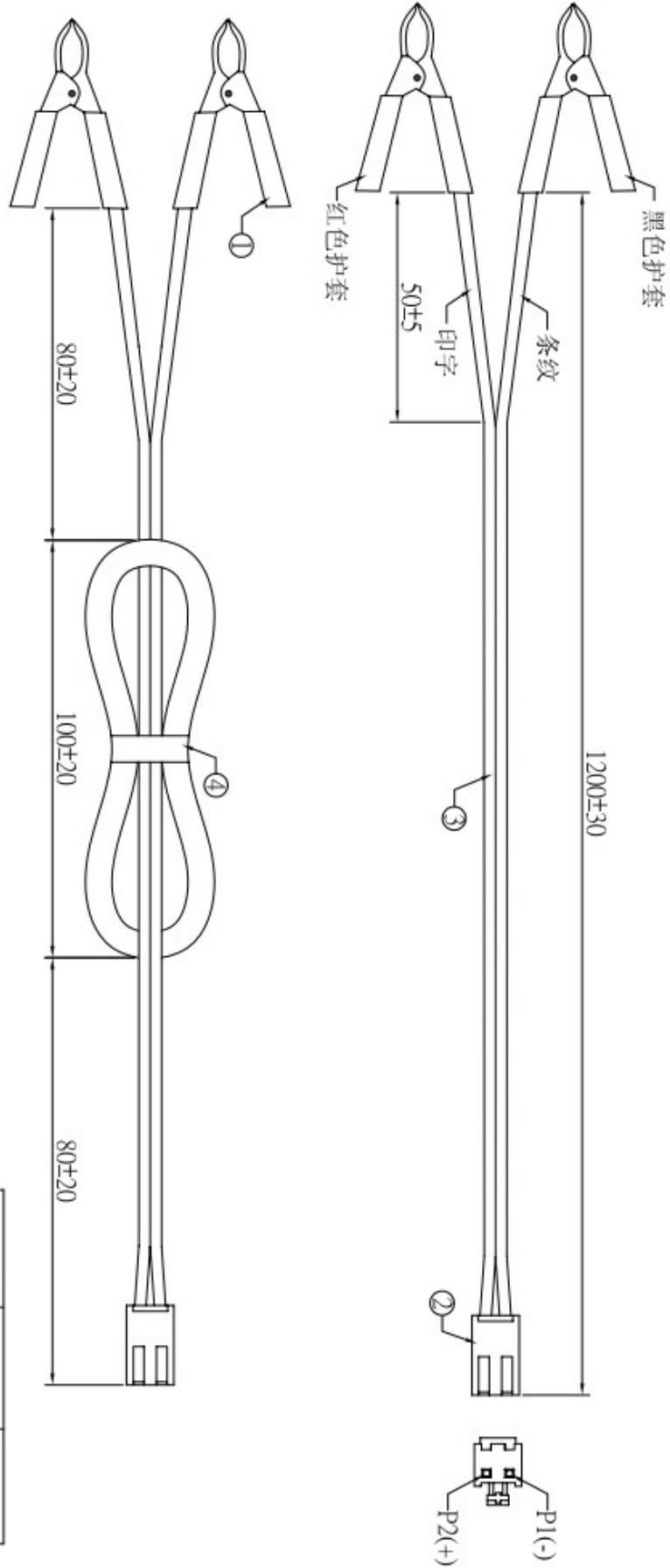


# Case Draw

BATTERY CHARGER AC04XXXA SERIAL OUTLINE



# DC Cord



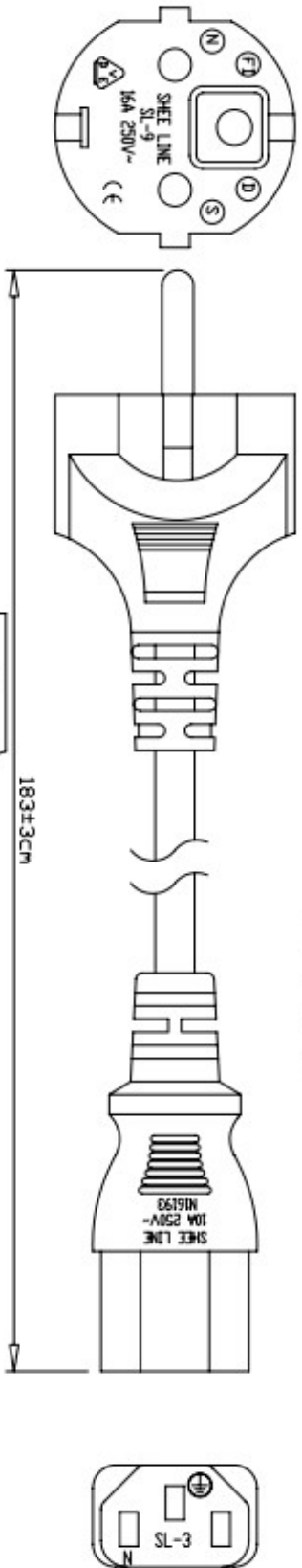
线材	线材	电瓶夹 Housing	电瓶夹 Housing
红色护套	红色护套	黑色护套	黑色护套
印字	印字	P1(-)	P1(-)
		条纹	条纹

Mains Lead

品名 H05 0.75mm<sup>2</sup>/3G SL-3+SL-9

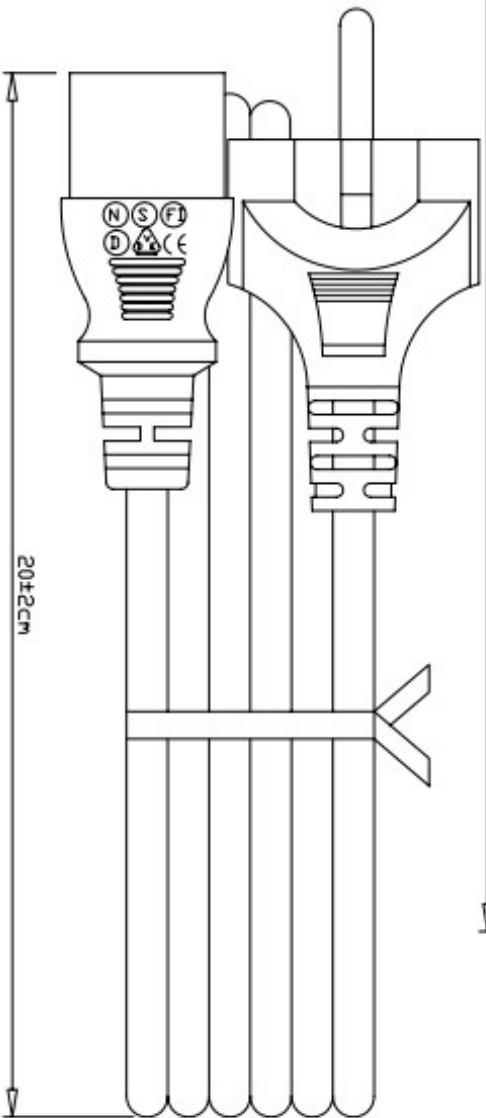
ROHS

021



SPECIFICATION :

- (1) LENGTH : 1.83M
- (2) COLOR : BLACK
- (3) PLUG : SL-3 (A)10 (V)250 APPROVAL:EUROPEAN
- (4) CONNECTOR: SL-9(A)16 (V)250 APPROVAL: EUROPEAN
- (3) CABLE : H05 0.75mm<sup>2</sup>/3G APPROVAL: EUROPEAN



升林有限公司		日期		Month Day Year		承認		客戶	
SHEE LINE CO., LTD.		02 / 14 / 2008				Approved		Name	
								機種	
								客戶圖號	
								圖號	
								NO.	