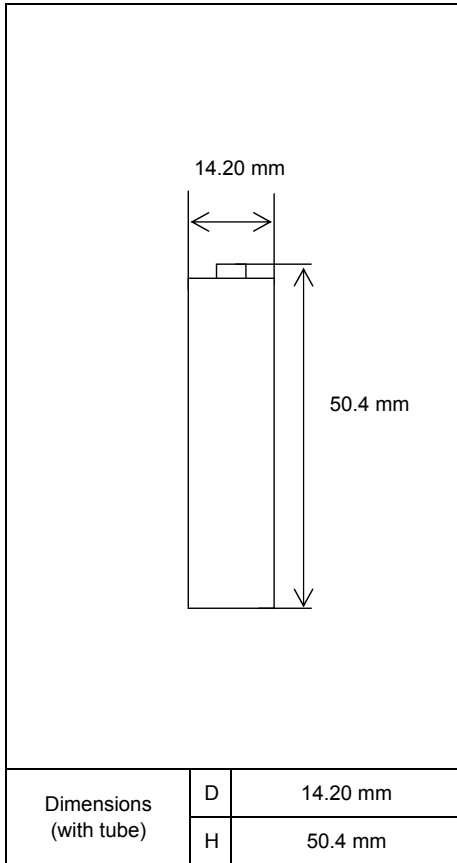


### Specifications

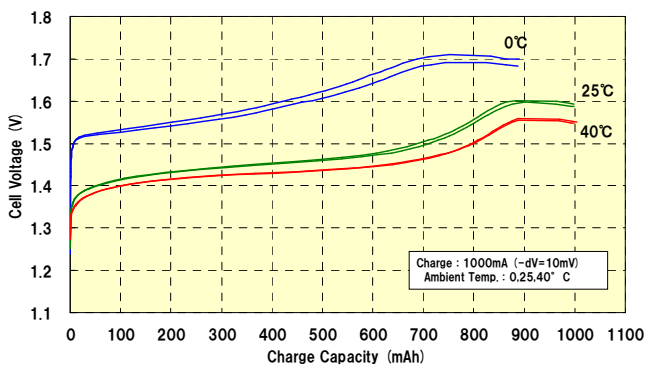


Type : Nickel-Metal Hydride Battery		Size : AA Consumer Type
Capacity <sup>1)</sup>	Typical	1000mAh
	Minimum	950mAh
Nominal Voltage		1.2V
Charging Current x Time	Fast Charge <sup>2)</sup>	1000mA × 1.1h
Ambient Temp.	Charge Condition	Fast Charge <sup>2)</sup>
	Discharge Condition	0°C - 40°C
	Less than 90days	0°C - 50°C
	Less than 1year	-20°C - 40°C
Internal Impedance <sup>3)</sup> (after discharge to E.V.=1.0V)		Approx. 25mΩ (at 1KHz)
Weight <sup>4)</sup>		Approx. 19 g
Size <sup>4)</sup> : (Diameter) x (Height)		φ : 14.2mm X H : 50.4mm

- 1) Single cell capacity under the following condition.  
Charge : 100mA x 16h, Discharge : 200mA (E.V.=1.0V) at 25deg.C
- 2) Use recommended charging system.
- 3) After a few charge and discharge cycles under the above 1) condition.
- 4) With Label.

### Typical Characteristics

#### Charge



#### Discharge

