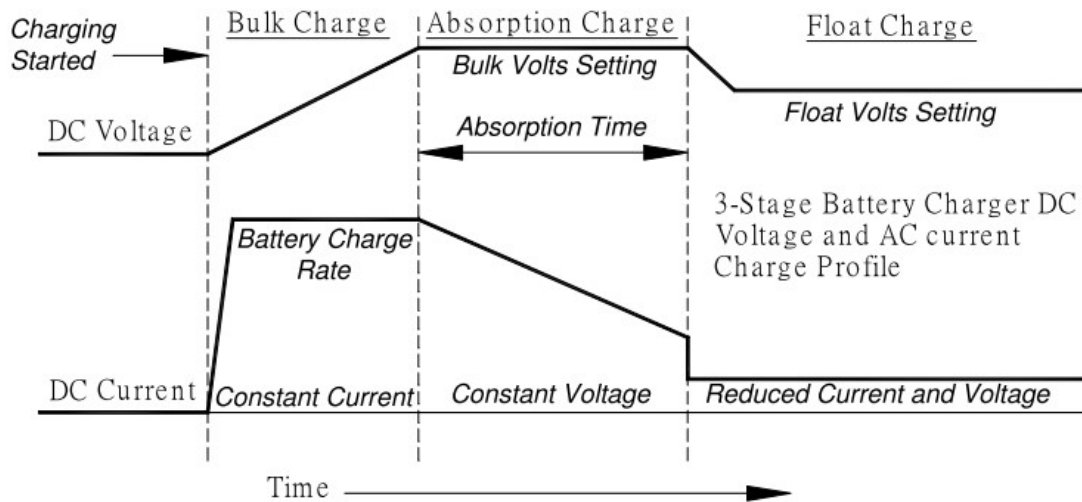


## *Specification of AC 0124A*

Input Voltage	100 ~ 240 Vac
Input Frequency	47 ~ 63Hz
Max. In-rush Current	Cold start , 15A for 115Vac , 30A for 230Vac
Input Current	1.6A Max for 115Vac 0.8A Max for 230Vac
Output Voltage	29.2Vdc +/- 0.2V 27.4Vdc +/- 0.2V
Max. Charging Current	1A +/- 0.2A
Hold up time	8 ms at full load output power and 115Vac input
Working Temperature	0 ~ 50 degree C.
LED Indication	LED1 : RED LED → CHARGING LED2 : GREEN LED → FULL CHARGE
Mains Lead	1.8M EURO Plug
DC Cable	SPT2, 2C, 18AWG, 1.8M mount clips
Dimension	119 x 61 x 37 mm
Weight	0.5Kgs

## Three Steps of Charging & Charge Curve



### Step 1 : Bulk charge – bring batteries to 75% capacity fast.

During this stage charging occurs at full power, which means maximum current, until the battery voltage reached the set limit.

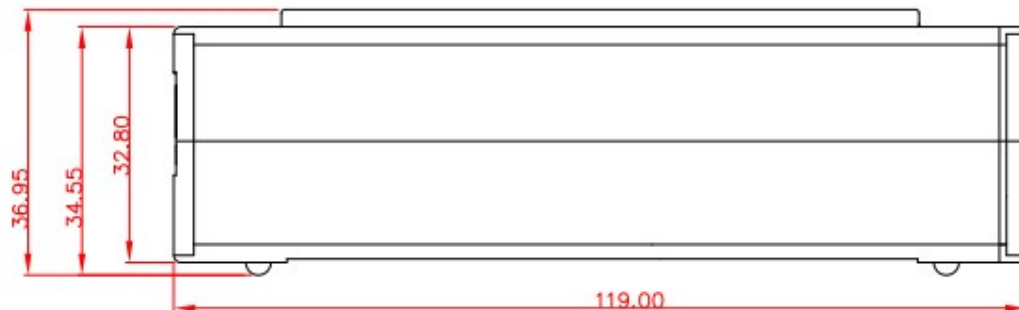
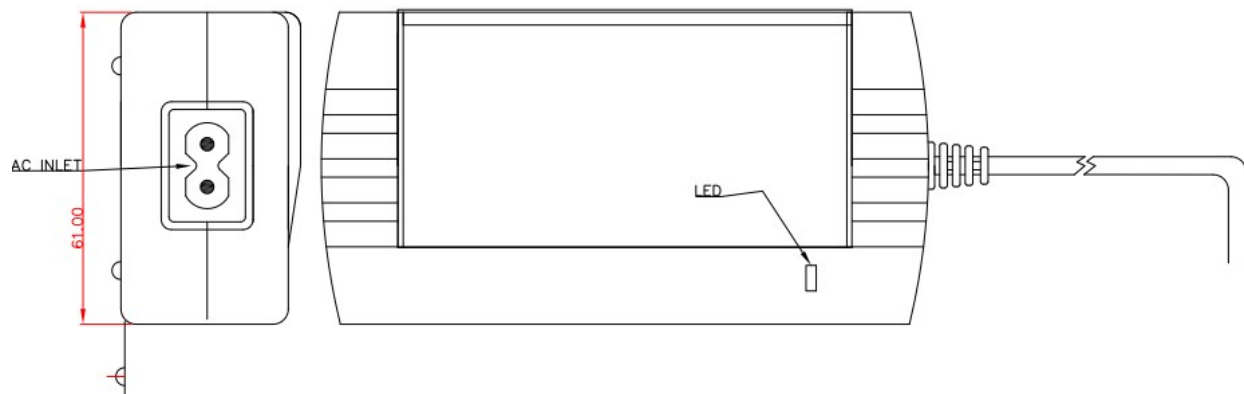
### Step 2 : Absorption Charge, boost – slow the current flow, adjusting for maximum efficiency and gently topping off batteries.

During absorption charging the current decreases as the battery approached full charge.

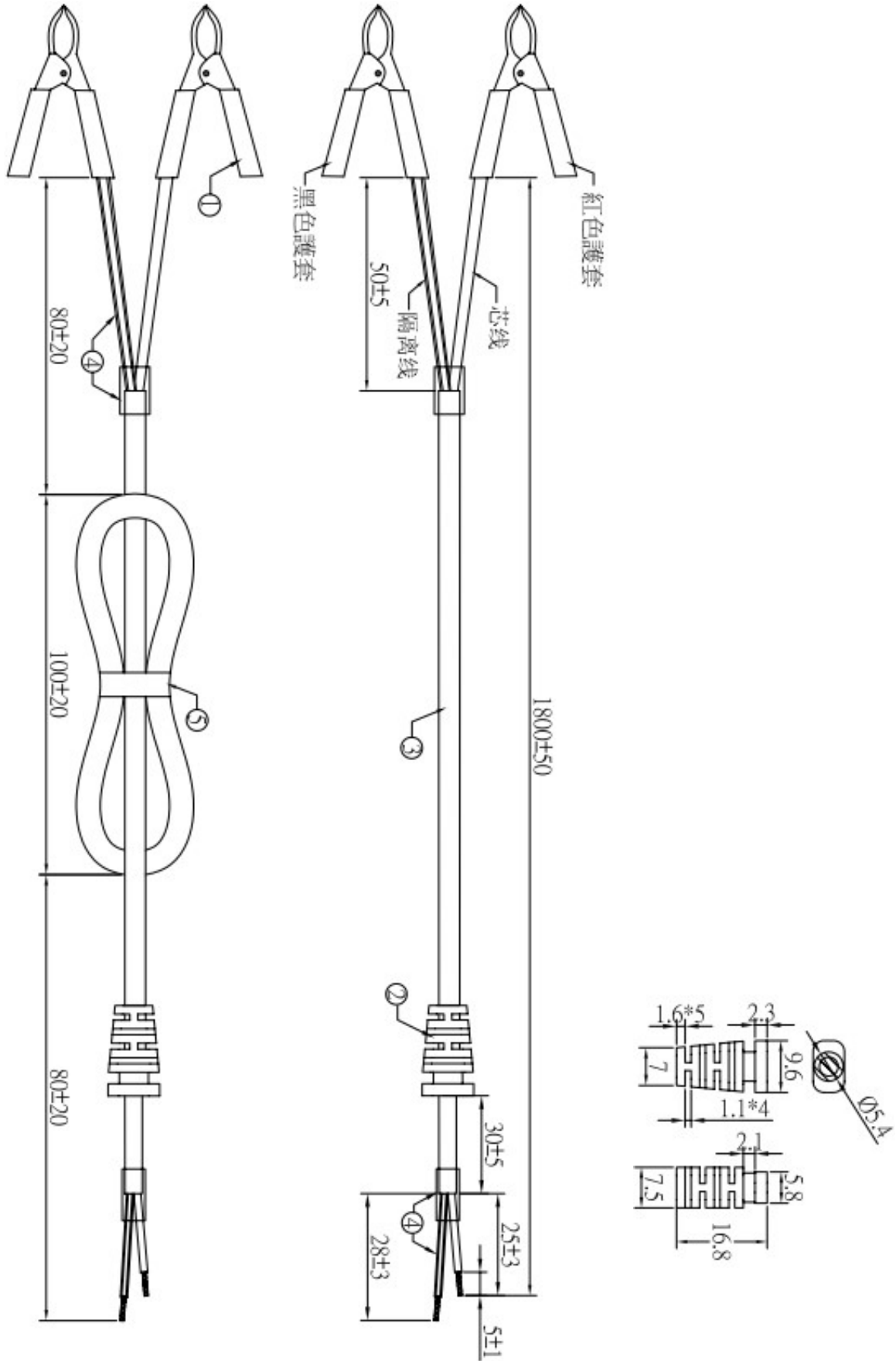
### Step 3 : Trickle Charge – for longer period, maintains fully charged batteries without harmful effects of over charging and cooking.

Trickle charge is intended to keep the battery in a fully charged state and compensates for self-discharge. When the current reaches setting point the battery switches to a maintenance charge at a constant voltage. Should the battery be in use and the charge current Subsequently exceed setting point the charger will automatically return to the beginning of the three step charge characteristic.

# Case Drawing



# DC Cord



# Mains Lead

1830±30

60±20 140±30

1. PVC MOLDED PLUG: PHP-205 (BLACK)
2. PVC FLEXIBLE CORD: H03VVH2-F 2X0.75MM<sup>2</sup> (BLACK)
3. VINYL TIE (BLACK)
4. PVC MOLDED CONNECTOR: PHS-204 (BLACK)

CORD SECTION:

SHEATH  
INSULATION  
CONDUCTOR

CORD MARKING:  
 PHINO H03VVH2-F 2X0.75mm<sup>2</sup> <VDE> KEMA-KEUR IEMMEQU +++++  
 <BVE> CE BEC S N D F LTSA-2F N18895 SABS 1574:2001 227 IEC 52  
 CE Co ROLL NO: 1,2,3... CHINA FACTORY

P/N		TITLE	POWER SUPPLY CORD	
			PHP-205 TO PHS-204	
		INTERNAL NO.	P205-S204 050825	
DESIGNED	HUANG LI 2005.05.25	UNIT	MM	SCALE
CHECKED		MATERIAL		<b>PHINO</b>
APPROVED		PROJECTION		