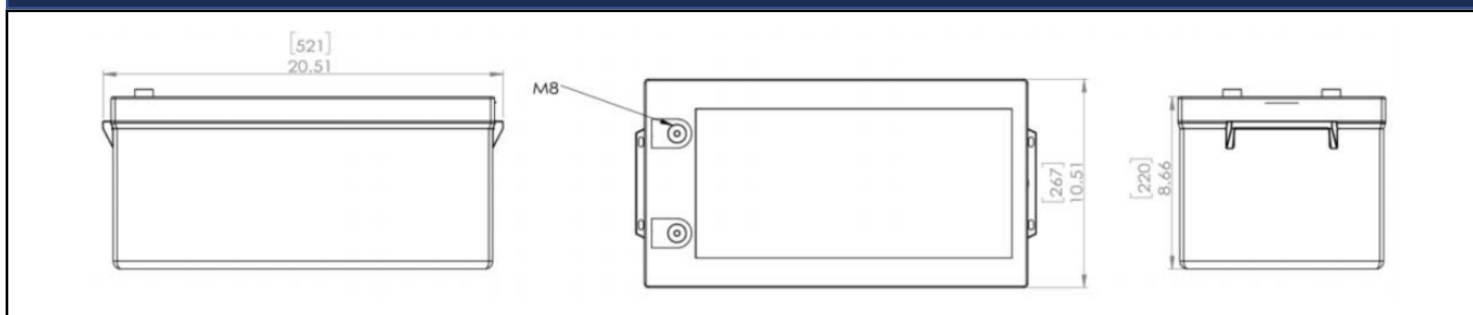


## LiFePO4 Battery 24V 150Ah



- Long Cycle Life:** Offers up to 20 times longer cycle life and up to five times longer float/calendar life than lead acid battery, helping to minimize replacement cost and reduce total cost of ownership.
- Light Weight:** About 40% of the weight of a comparable lead acid battery. A 'drop in' replacement for lead acid batteries.
- High Power:** Delivers twice the power of lead acid battery, even high discharge rate, while maintaining high energy capacity.
- Wide Temperature Range:** -20°C ~ +60°C
- Superior Safety:** Within the Lithium-ion battery family Lithium Iron Phosphate also known as LiFePO4 chemistry is the safest and greatly reduces the risk of explosion or combustion due to high impact, over charging or short circuit situation.
- Increased Flexibility:** Modular design enables deployment of series and parallel connected batteries.

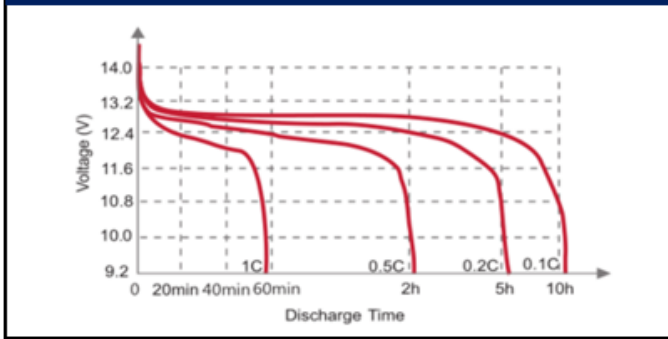
### Dimensions



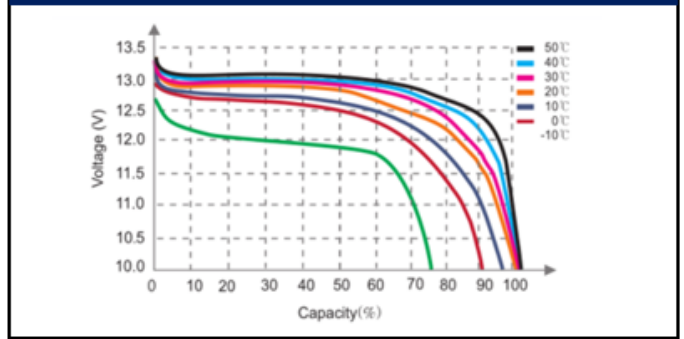
### Specification

Electrical Characteristics	Nominal Voltage	25.6V	
	Rated Capacity	150Ah	
	Energy	3840Wh	
	Max Series Pcs.	1S	
	Max Parallel Pcs.	4P	
	Circuit Protection	Over charge, Over discharge, Over current, Over temp, Short, Internal cell balancing	
	Internal Resistance (AC)	≤20mΩ	
Charge	Charge Voltage	28.8±0.2V (Float voltage 27.2V~28.4V)	
	Standard Cut-off Voltage	20V	
	Charge Current	≤75A	
Discharge	Max. Continuous discharge Current	150A	
	Standard discharge Current	30A(0.2C)	
	Peak Discharge current	250A(3s); 650A(20ms)	
Environmental	Charge Temperature	0°C~+55°C	@60±25% Relative Humidity
	Discharge Temperature	-20°C~+60°C	
	Storage Temperature	0°C~+40°C	
Dimensions	Group 8D	521±2mm * 267±2mm * 220±2mm	
Case / IP class	Plastic case / IP65		
Terminal	M8		
Approx. Weight	33.2kg±0.5kg		
Extended functions	/		

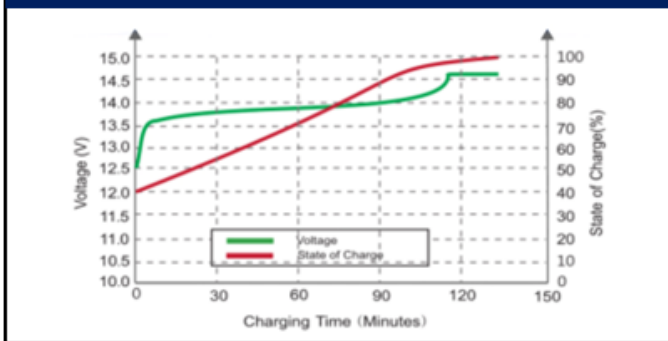
### Different Rate Discharge Curve (25°C)



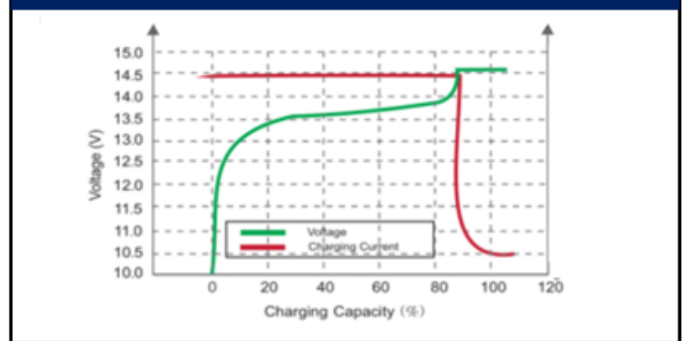
### Different Temperature Discharge Curve (0.5C)



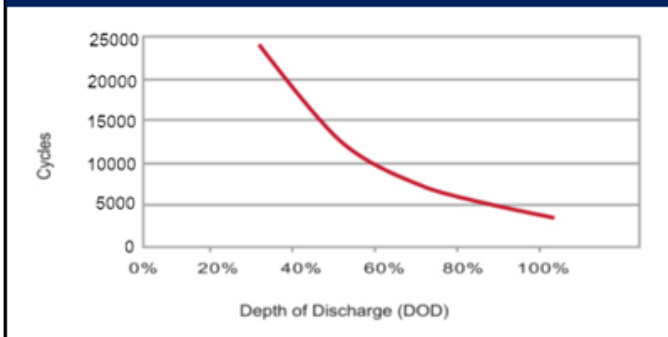
### State of Charge Curve (0.5C-25°C)



### Charging Characteristics (0.5C-25°C)



### Different DOD Discharge Cycle Life Curve



### Different Temperature Self Discharge Curve

