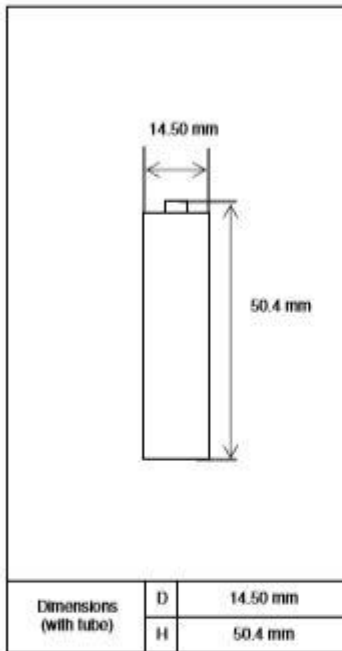




### Specifications

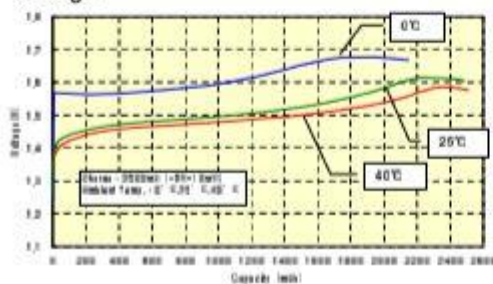


Type : Nickel-Metal Hydride Battery		Size : AA Consumer Type
Capacity <sup>a</sup>	Typical	-
	Minimum	2450mAh
Nominal Voltage		1.2V
Charging Current x Time	Fast Charge <sup>b</sup>	2450mA x 1.1h
Ambient Temp.	Charge Condition	Fast Charge <sup>b</sup> 0°C - 40°C
	Discharge Condition	0°C - 50°C
		Less than 90days -20°C - 40°C
	Less than 1year	-20°C - 30°C
Internal Impedance <sup>a</sup> (after discharge to E.V.=1.0V)		Approx. 25mΩ (at 1kHz)
Weight <sup>a</sup>		Approx. 30 g
Size <sup>a</sup> (Diameter) x (Height)		φ:14.5mm X H:50.4mm

- 1) Single cell capacity under the following condition.  
Charge : 245mA x 16h, Discharge : 490mA(E.V.=1.0V) at 25deg.C
- 2) Use recommended charging system.
- 3) After a few charge and discharge cycles under the above 1) condition.
- 4) With Label.

### Typical Characteristics

#### Charge



#### Discharge

