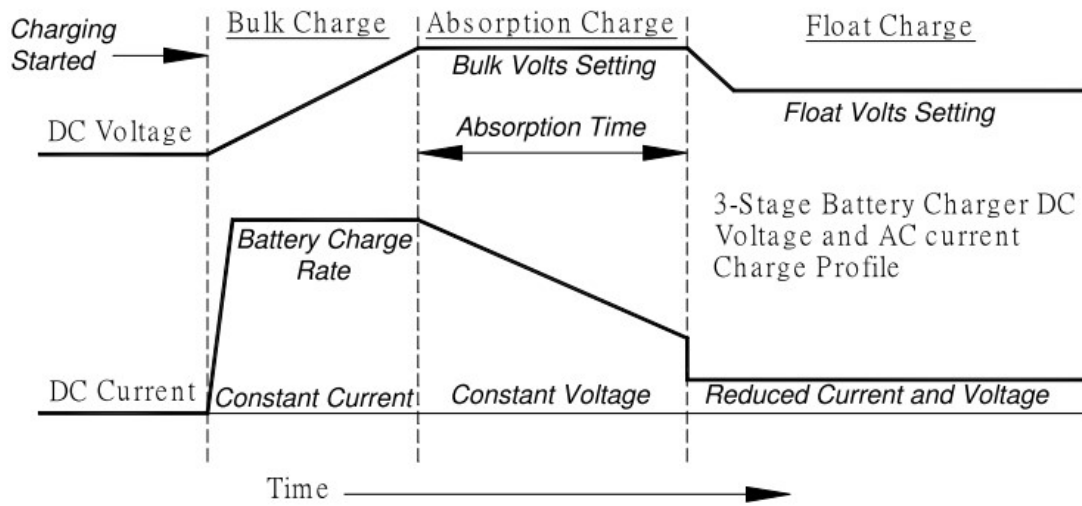


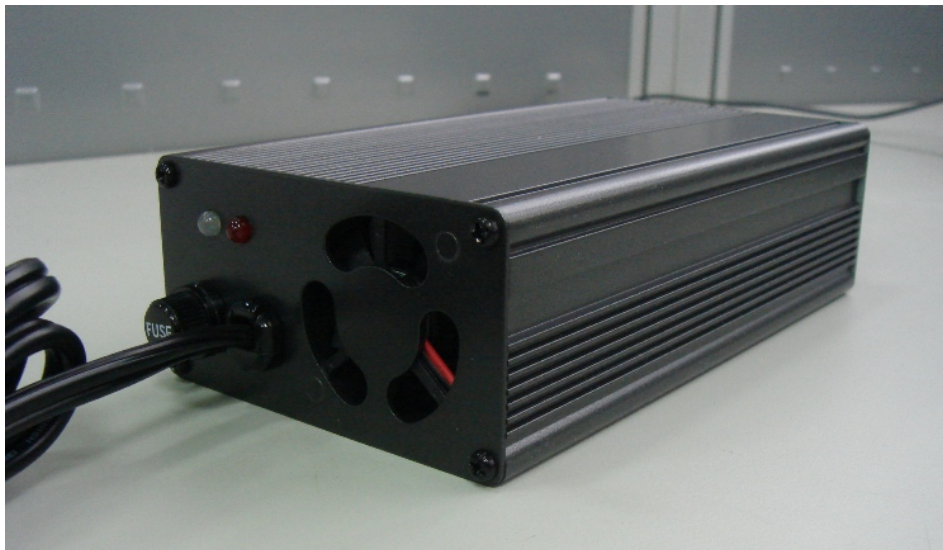
Specification of AC 0612A

Input Voltage	115 / 230Vac [AUTO SW.]
Input Frequency	47 ~ 63Hz
Max. In-rush Current	Cold start · 20A for 115Vac · 40A for 230Vac
Input Current	2.2A Max for 115Vac 1.1A Max for 230Vac
Output Voltage	14.6Vdc \pm 0.2V (Absorption Charge) 13.7Vdc \pm 0.2V (Float Charge)
Start Point of Floating	0.7A \pm 0.2A
Max. Charging Current	6A \pm 0.2A
Ripple / Noise	160mVp-p
FAN Control	Fan on fast speed (Bulk / Absorption Charge) Fan on slow speed (Float Charge)
LED Indication	LED1 : Red \rightarrow Power on LED2 : Orange \rightarrow Charging Green \rightarrow Full charged
Mains Lead	1.8M EURO Plug
DC Cable	SPT2 2C 18AWG at 1.2M Mount clips
Dimension	177.5 x 88 x 47 mm
G.W.	0.8 Kgs

Charge curve :



Body View

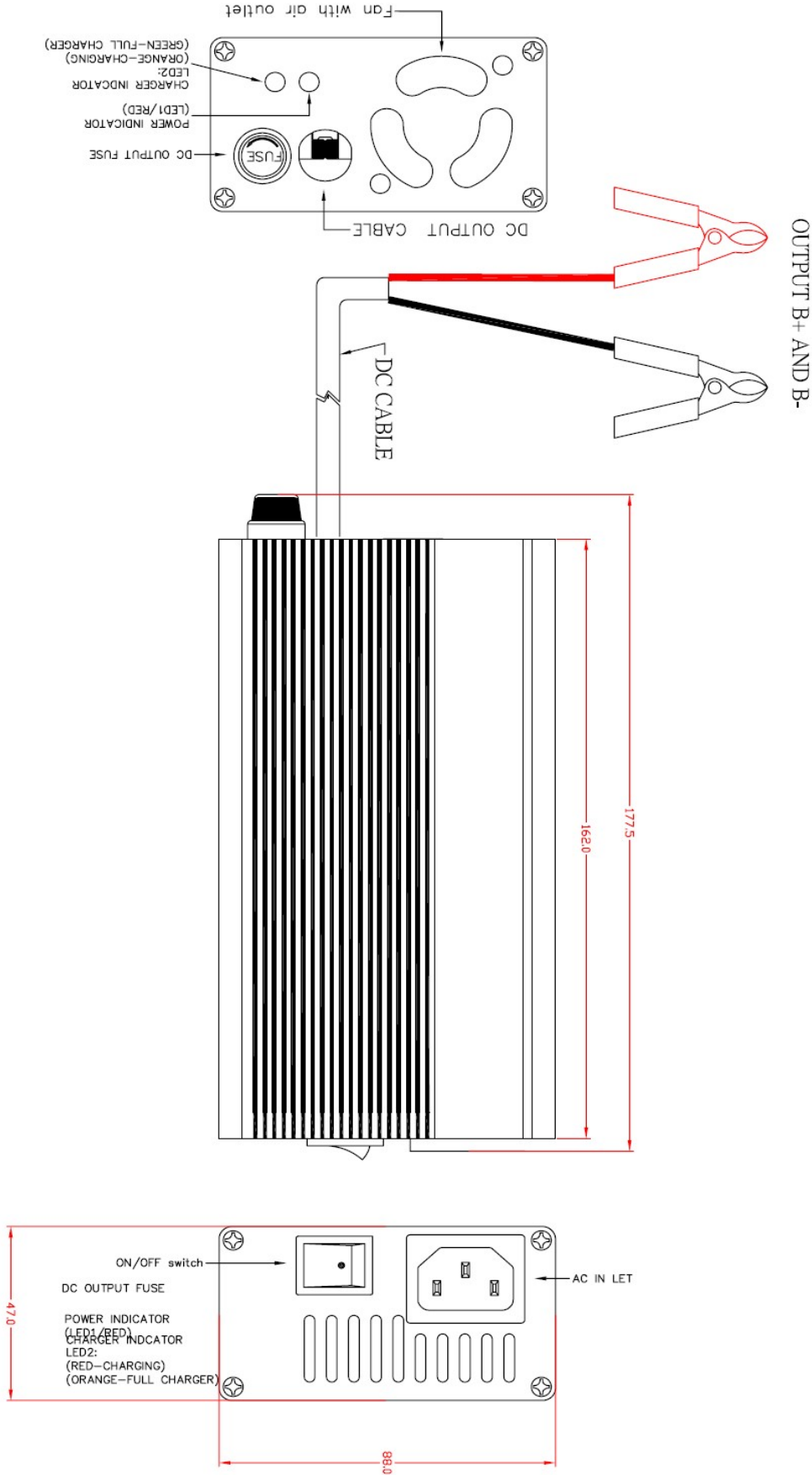


Rear Panel

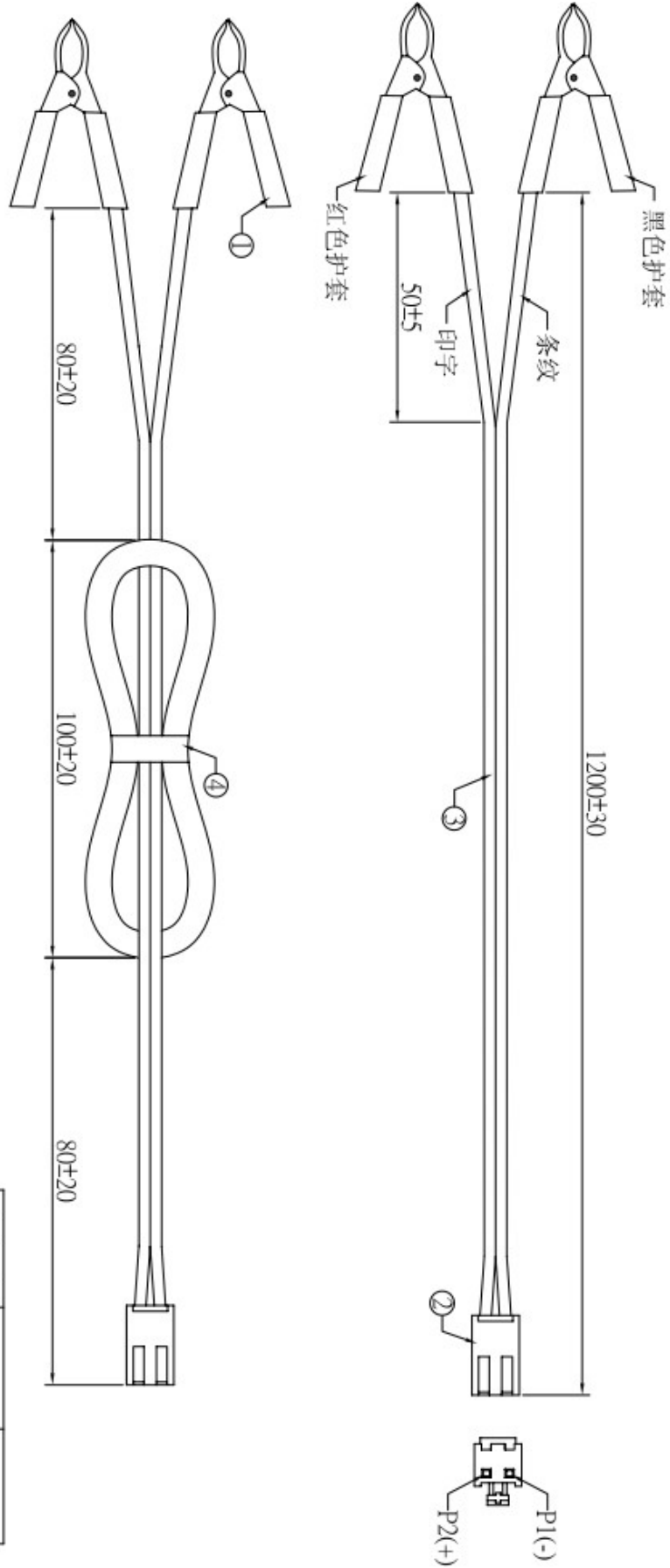


Case Draw

BATTERY CHARGER AC04XXXA SERIAL OUTLINE



DC Cord



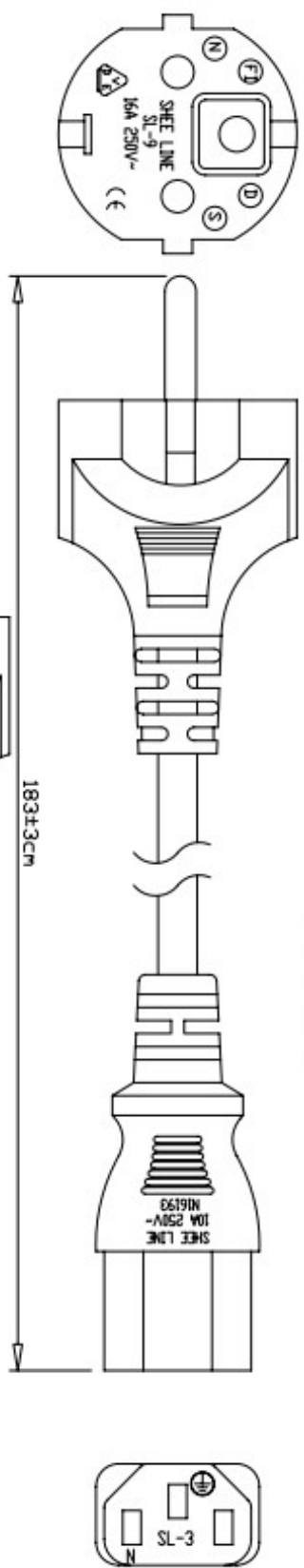
线材	线材	电瓶夹 Housing	电瓶夹 Housing
印字	条纹	P1(-)	黑色护套
P2(+)	P1(-)	红色护套	

Mains Lead

品名 H05 0.75mm²/3G SL-3+SL-9

ROHS

021



SPECIFICATION :

- (1) LENGTH : 1.83M
- (2) COLOR : BLACK
- (3) PLUG : SL-3 (A)10 (V)250 APPROVAL:EUROPEAN
- (4) CONNECTOR: SL-9(A)16 (V)250 APPROVAL: EUROPEAN
- (3) CABLE : H05 0.75mm²/3G APPROVAL: EUROPEAN

升林有限公司		日期		Month Day Year		承認		客戶	
SHEE LINE CO., LTD.		02 / 14 / 2008				Approved		Name	
								機種	
								客戶圖號	
								圖號	
								NO.	