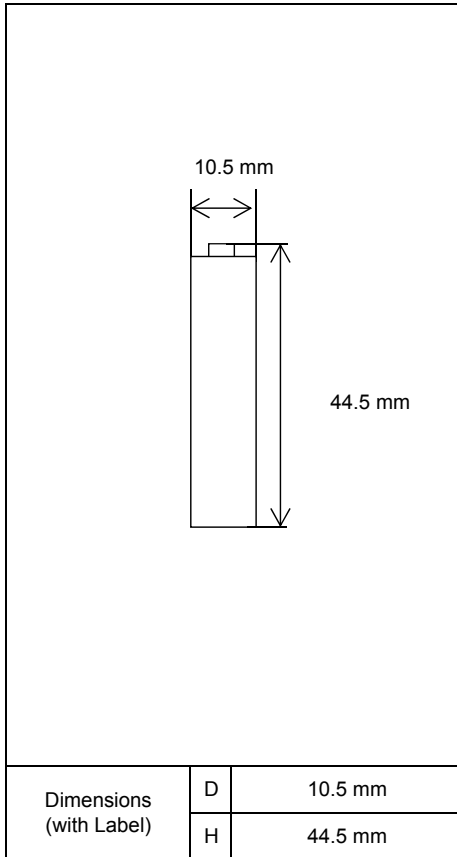


To PECE

Specifications



Type : Nickel-Metal Hydride Battery		Size : AAA Consumer Type
Country of origin		Japan
Capacity ¹⁾	Minimum	930mAh
Nominal Voltage		1.2V
Charging Current x Time	Fast Charge ²⁾	Max.480mA
Ambient Temp.	Charge Condition	Fast Charge ²⁾
	Discharge Condition	
	Storage Condition	
	Less than 90days	-20°C - 40°C
	Less than 1year	-20°C - 30°C
Internal Impedance ³⁾ (after discharge to E.V.=1.0V)		Approx. 45mΩ (at 1000Hz)
Weight ⁴⁾		Approx. 13 g
Size ⁴⁾ : (Diameter) x (Height)		10.5(D) x 44.5(H) mm

1)Single cell capacity under the following condition.

Charge : 93mA×16h, Discharge : 186mA(E.V.=1.0V) at 20°C

2)Use recommended charging system.

3)After a few charge and discharge cycles under the above 1) condition.

4)With Label.