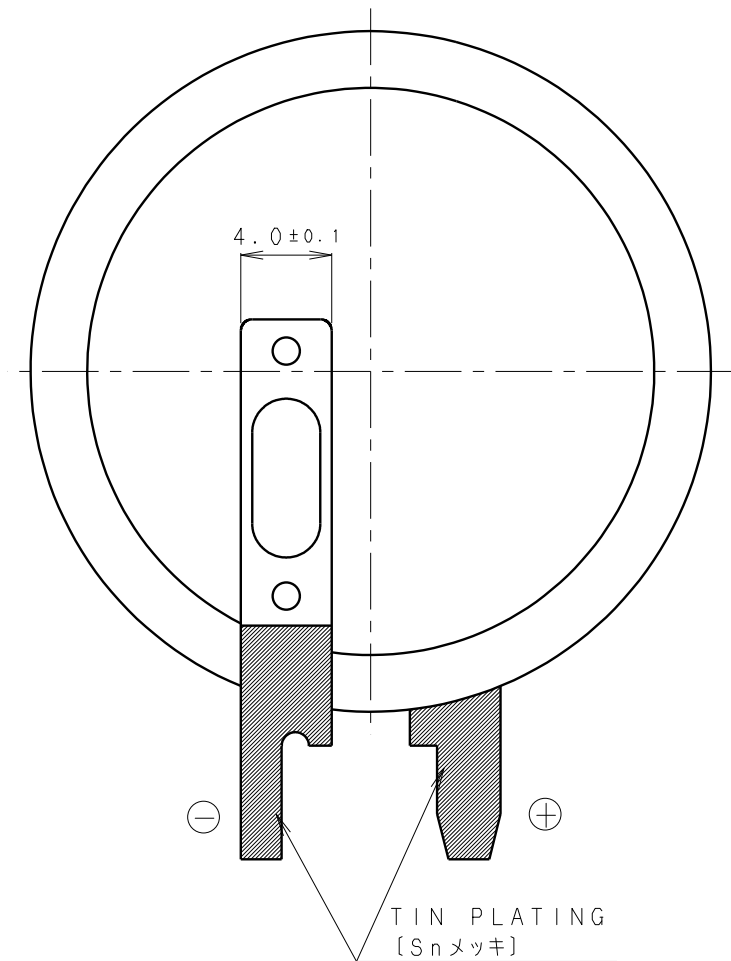
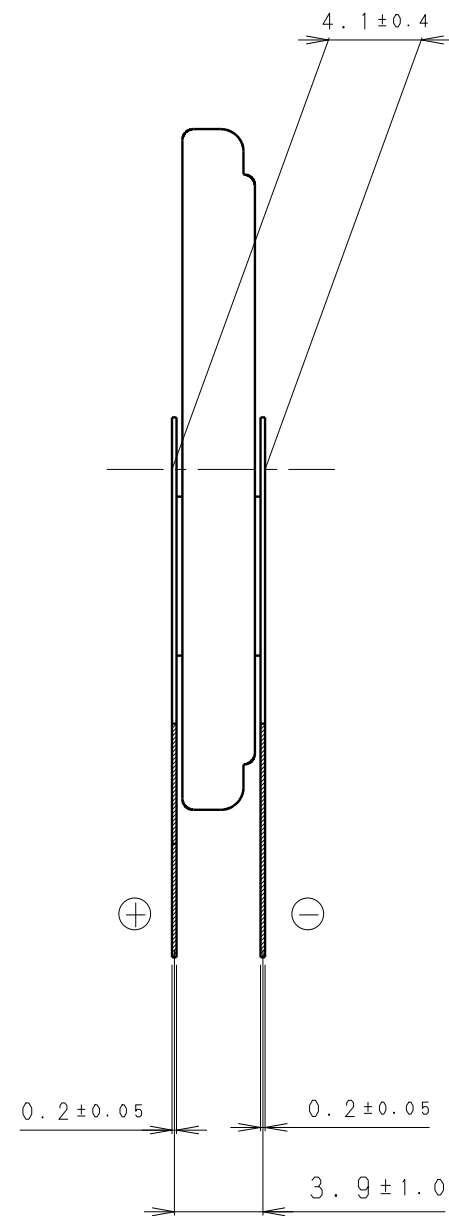
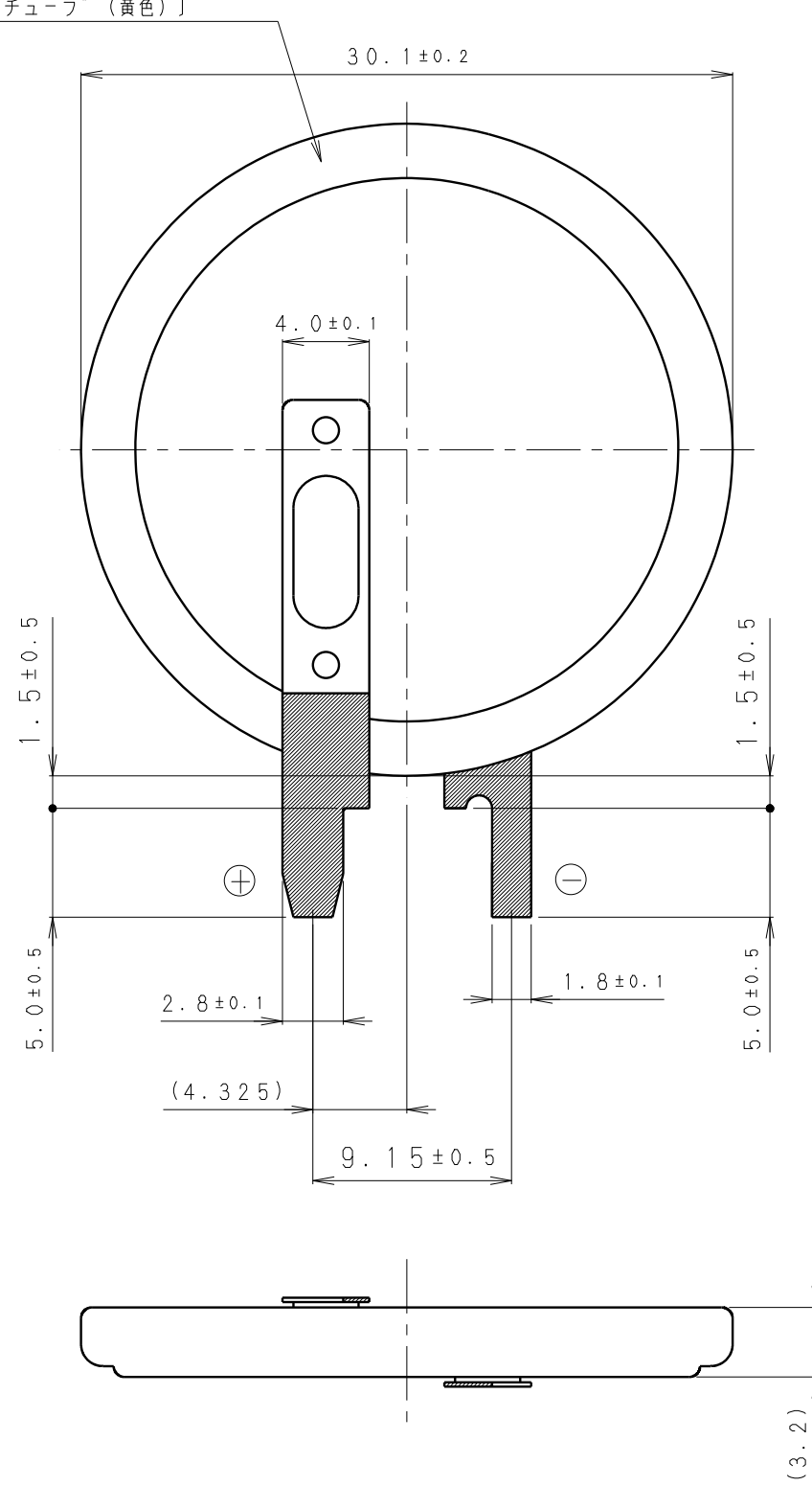


INSULATOR (YELLOW)  
 [絶縁チューブ (黄色)]



\* NOTE [注記]

- TAB PULLING STRENGTH OVER 19.6N [端子溶接強度: 19.6N以上]
- TAB MATERIAL: STAINLESS STEEL WITH TIN PLATING [端子材料: 基材 ステンレス/表面 部分Snメッキ]
- ( ): REFERENCE DIMENSION AND ANGLE [ ( ) 寸法、角度は参考値]

|             |             |       |          |
|-------------|-------------|-------|----------|
| PRODUCT NO. | CR-3032/VCN | SCALE | 3:1      |
| DRAWING NO. | TMVA1Z      | REV.  | 0        |
|             |             |       | UNIT: mm |