



CP1003550 3.0V

**Electrical characteristics**

Typical values relative to cells stored for one year

<p>⦿ Nominal capacity</p> <p>Discharged capacity at 2mA,+25°C, 1.8V cut off.</p>	<p>4200mAh</p>
<p>⦿ Nominal voltage</p>	<p>3.0V</p>
<p>⦿ Max. recommended continuous current</p> <p>Discharged to 1.8V at 25°C permitting 50% of the Nominal capacity to be achieved</p>	<p>1500mA</p>
<p>⦿ Max. Pulse current</p> <p>15 seconds at 25°C drained with 50% of the nominal capacity, yield voltage reading above 1.8V. The value may vary with the pulse characteristics, the temperature and the cell's previous history</p>	<p>2500mA</p>
<p>⦿ Storage</p>	<p>Max 30°C</p>
<p>⦿ Operating temperature range</p>	<p>-40~+60°C</p>
<p>⦿ Weight</p>	<p>≈33g</p>

**Key features**

- High and stable operating voltage
- Long shelf life Annual self-discharge rate lower than 2% at +20°C
- Hermetic Sealing
- Compliant with IEC 86-4 safety standard
- Non-restricted for transport

**Main applications**

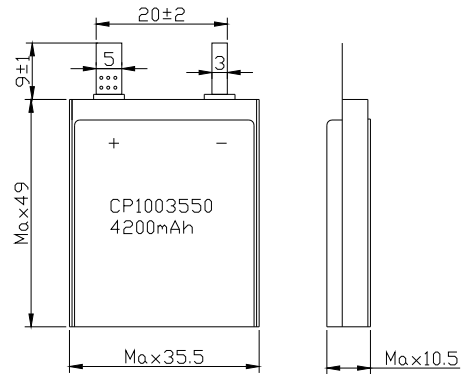
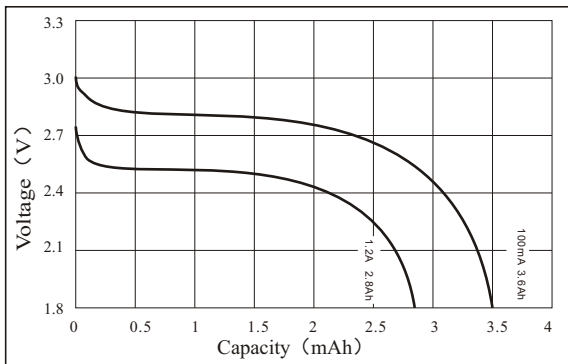
- active tags
- Alarms or security equipment
- Smoke detector
- Memory backup
- Real time clock
- Professional electronic equipment
- Medical equipment
- .....

**Warning**

**Don't charge crush, disassemble, expose contents to water, heat above 80°C, or may lead to explosion, burn or goods leakage. Discarded battery should be buried deeply to the ground.**

Information in the document is just for reference, not for guarantee of battery performance, the quality of battery is subject to the buyer and seller's final confirmation in the contract.

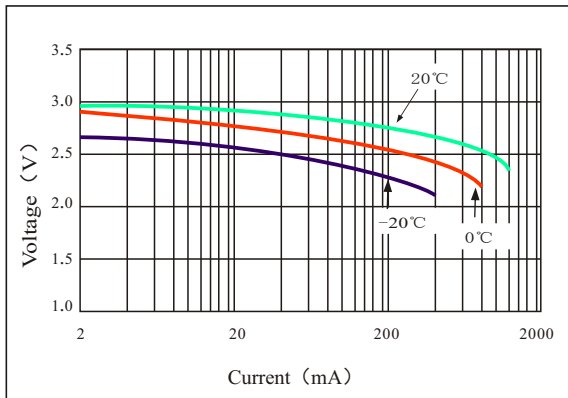
Discharge characteristics at 25°C



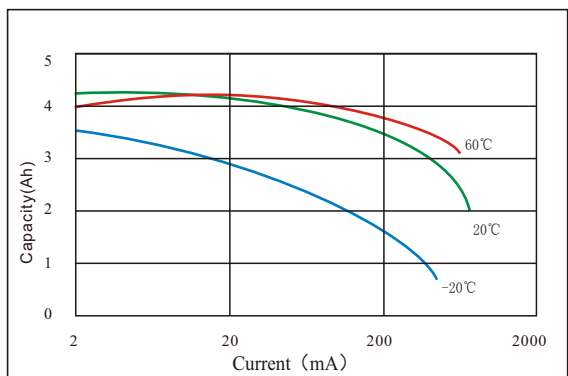
Dimensions in mm

Special terminal can be made according to customer's requirement

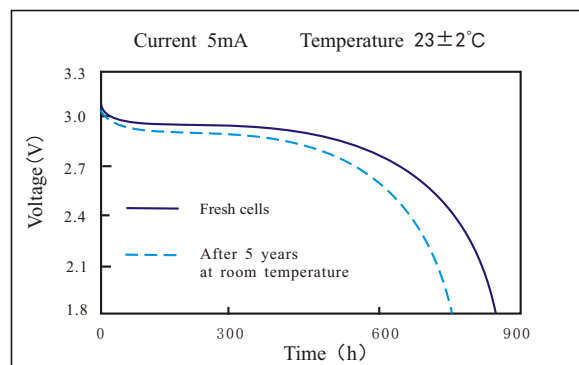
Voltage VS Current & Temperature Curve



Capacity VS Current & Temperature Curve



Storage characteristics



Data in this page is subject to change without notice and becomes contractual only after written confirmation by Fanso