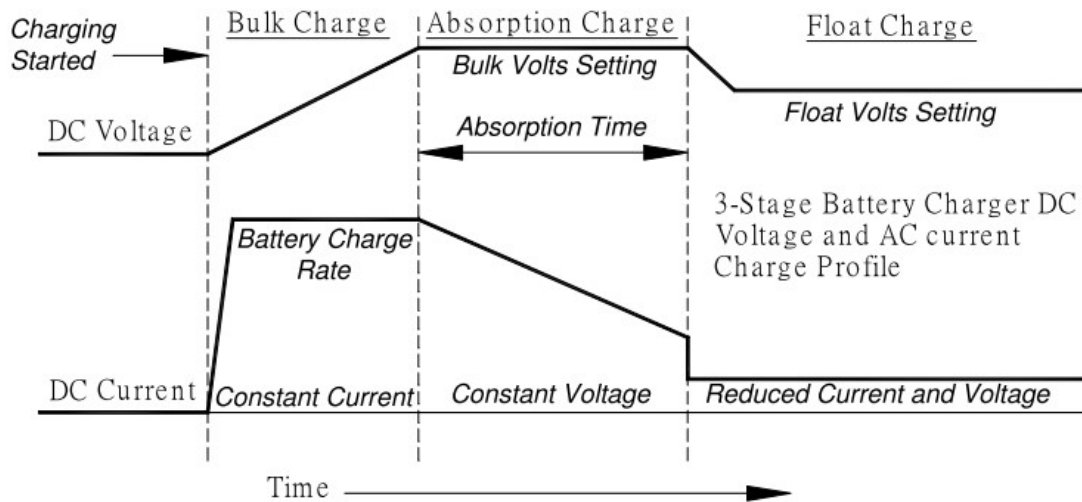


Specification of AC 0112A

Input Voltage	100 ~ 240 Vac
Input Frequency	47 ~ 63Hz
Max. In-rush Current	Cold start , 15A for 115Vac , 30A for 230Vac
Input Current	1.6A Max for 115Vac 0.8A Max for 230Vac
Output Voltage	14.6Vdc +/- 0.2V 13.7Vdc +/- 0.2V
Max. Charging Current	1A +/- 0.2A
Hold up time	8 ms at full load output power and 115Vac input
Working Temperature	0 ~ 50 degree C.
LED Indication	LED1 : RED LED → CHARGING LED2 : GREEN LED → FULL CHARGE
Mains Lead	1.8M EURO Plug
DC Cable	SPT2, 2C, 18AWG, 1.8M mount clips
Dimension	119 x 61 x 37 mm
Weight	0.5Kgs

Three Steps of Charging & Charge Curve



Step 1 : Bulk charge – bring batteries to 75% capacity fast.

During this stage charging occurs at full power, which means maximum current, until the battery voltage reached the set limit.

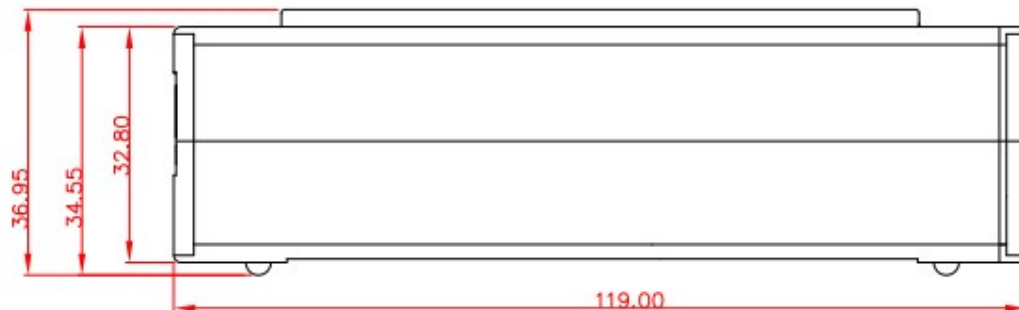
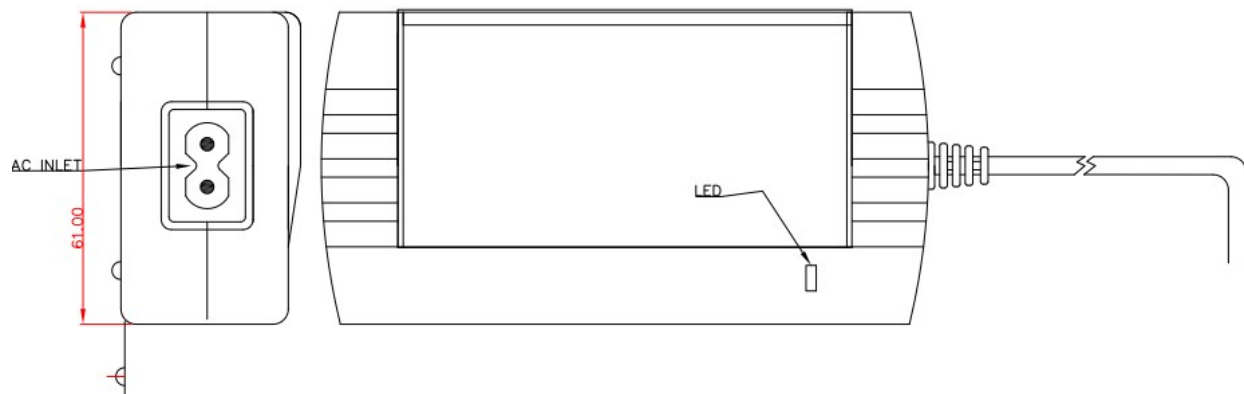
Step 2 : Absorption Charge, boost – slow the current flow, adjusting for maximum efficiency and gently topping off batteries.

During absorption charging the current decreases as the battery approached full charge.

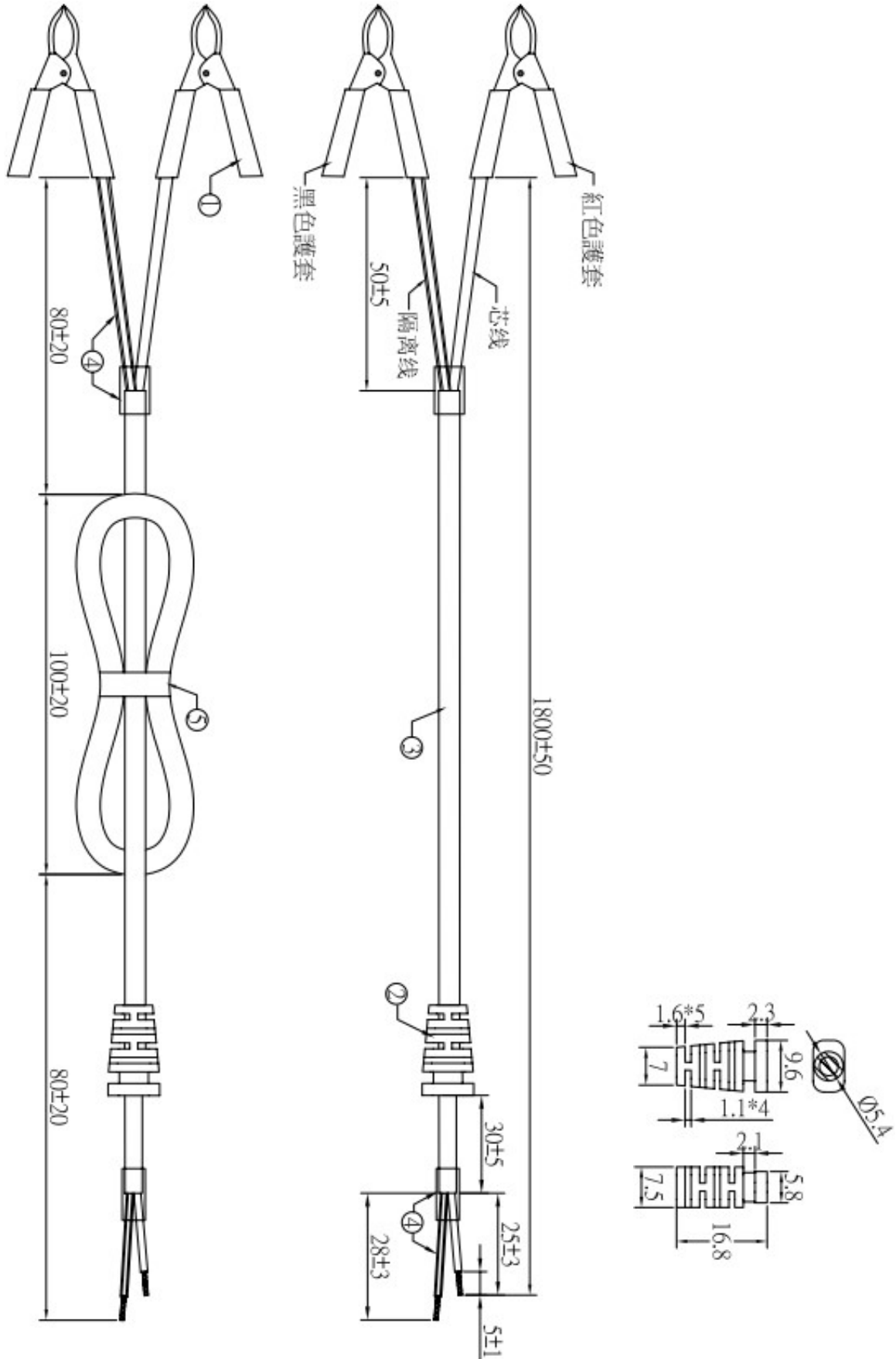
Step 3 : Trickle Charge – for longer period, maintains fully charged batteries without harmful effects of over charging and cooking.

Trickle charge is intended to keep the battery in a fully charged state and compensates for self-discharge. When the current reaches setting point the battery switches to a maintenance charge at a constant voltage. Should the battery be in use and the charge current Subsequently exceed setting point the charger will automatically return to the beginning of the three step charge characteristic.

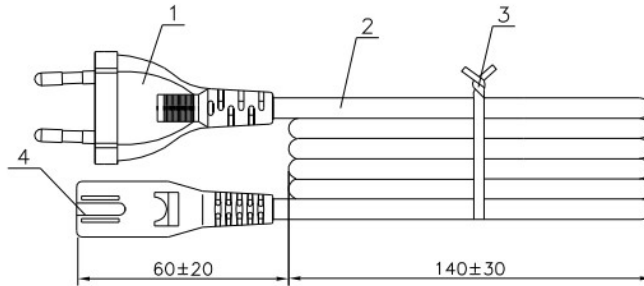
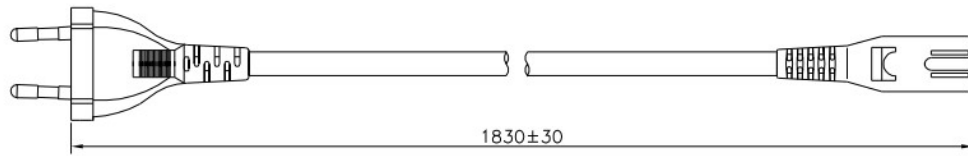
Case Drawing



DC Cord

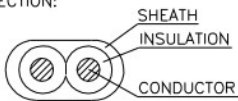


Mains Lead



1. PVC MOLDED PLUG: PHP-205 (BLACK)
2. PVC FLEXIBLE CORD: H03VVH2-F 2X0.75MM² (BLACK)
3. VINYL TIE (BLACK)
4. PVC MOLDED CONNECTOR: PHS-204 (BLACK)

CORD SECTION:



CORD MARKING:

PHINO H03VVH2-F 2X0.75mm² <VDE> KEMA-KEUR IEMMEQU +++++
 <BVE> CEBC Ⓢ Ⓝ Ⓞ Ⓟ LTSA-2F N18895 SABS 1574:2001 227 IEC 52
 CE Cn
 ROLL NO: 1,2,3...
 CHINA FACTORY

P/N		TITLE	POWER SUPPLY CORD	
			PHP-205 TO PHS-204	
		INTERNAL NO.	P205-S204 050825	
DESIGNED	HUANG LI 2005.05.25	UNIT	MM	SCALE
CHECKED		MATERIAL		PHINO
APPROVED		PROJECTION		