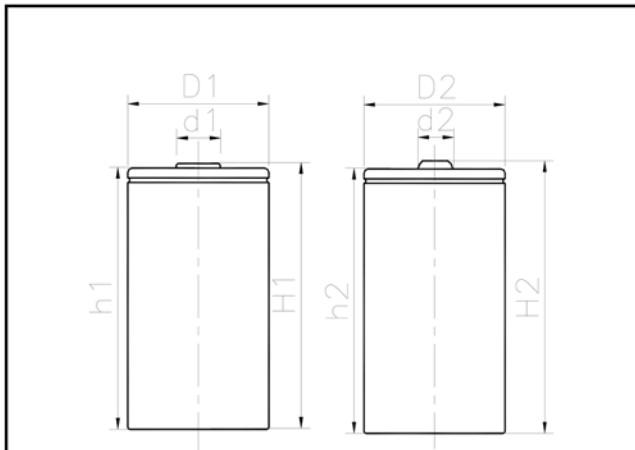


MODEL No:

D4500H

Description: 4500 mAh SIZE Ni-Cd D



Dimensions(without Tube) (mm)

D	32.10±0.10		
d1	10.00±0.08	d2	8.00±0.08
H1	59.00±0.50	H2	60.50±0.50
h1	58.50±0.50	h2	58.50±0.50

Specification

Nominal Capacity		4500 mAh	
Nominal Voltage		1.2 V	
Charge current	Trickle	225 mA	
	Standard	450 mA	
Charge time	Trickle	48 Hrs~	
	Standard	14~16 Hrs	
Ambient Temperature	Charge	Trickle	0°C~70°C
		Standard	0°C~70°C
	Discharge		-20°C~70°C
	Storage		-20°C~60°C
Internal Impedance(mΩ) (After Charge)		≤ 9	
Weight		130 g	

